



## *Electrical Circuit Diagrams*

---

*Elektrische  
Circuitdiagrammen*

*Schémas Électriques*

*Elektrische Schaltpläne*

*Schema di Circuiti*

*Esquemas de Circuitos  
Eléctricos*

*Diagramas dos Circuitos  
Eléctricos*





# AMENDMENT INSTRUCTION SHEET



## MINI ELECTRICAL CIRCUIT DIAGRAMS

Publication Number RCL0194ENG

Amendment Number: **XN002.98ENG**

Date: **09/98**

To ensure that this manual is kept up to date and that a record of amendments to this manual is available, an Amendment Instruction Sheet will be issued with each set of revised pages.

- The Title page of the Manual is re-issued, and the Part No. has been raised to the next edition. Except for the Contents pages, all revised and new pages have the issue date at the foot of each page, together with an indication of whether the pages are revised or new.
- This Amendment Instruction Sheet must be inserted at the front of the manual to indicate that the amendment has been incorporated. Do not discard previous Amendment Instruction sheets.
- Your manual is only complete to this issue providing all prior Amendments are included.
- The filing instructions give section and page numbers affected. Additional pages or complete new sections may be issued, insert the pages as instructed.

### FILING INSTRUCTIONS

Section	Discard Existing Pages	Insert New Pages	Reason for Amendment
CONTENTS PAGE	Contents page	Contents page	Part number raised to 2nd Edition and year of copyright amended.
POWER DISTRIBUTION	Page 1.1	Page 1.1	Model year qualifier on Catalyst overheat details
ANTI-THEFT ALARM AND HORN	Page 3.1	Page 3.1	Circuit details amended to include 1998 MY changes
CATALYST OVERHEAT	Page 37.2	Page 37.2	Model year qualifier on Catalyst overheat details
INDICATORS AND HAZARDS	Page 44.1	Page 44.1	Circuit details amended to include 1998 MY changes

# AMENDMENT INSTRUCTION SHEET



## MINI ELECTRICAL CIRCUIT DIAGRAMS

Publication Number RCL0194ENG

Amendment Number: **XN001.99ENG**

Date: **03/99**

To ensure that this manual is kept up to date and that a record of amendments to this manual is available, an Amendment Instruction Sheet will be issued with each set of revised pages.

- The Title page of the Manual is re-issued, and the Part No. has been raised to the next edition. Except for the Contents pages, all revised and new pages have the issue date at the foot of each page, together with an indication of whether the pages are revised or new.
- This Amendment Instruction Sheet must be inserted at the front of the manual to indicate that the amendment has been incorporated. Do not discard previous Amendment Instruction sheets.
- Your manual is only complete to this issue providing all prior Amendments are included.
- The filing instructions give section and page numbers affected. Additional pages or complete new sections may be issued, insert the pages as instructed.

### FILING INSTRUCTIONS

Section	Discard Existing Pages	Insert New Pages	Reason for Amendment
CONTENTS PAGE	Contents page	Contents page	Part number raised to 3rd Edition and year of copyright amended.
IN-CAR ENTERTAINMENT	Page 50.1	Page 50.1	Radio cassette player sub-heading added.
IN-CAR ENTERTAINMENT		Page 50.2	Radio CD player circuit diagram added.

# CONTENTS

## ELECTRICAL CIRCUIT DIAGRAMS

RCL 0194ENG (3rd Edition)

<b>POWER DISTRIBUTION</b> .....	<b>1.1</b>	<b>BRAKE FLUID LEVEL WARNING</b> .....	<b>35.1</b>	<b>EXTERIOR LAMPS</b>	
<b>EARTH DISTRIBUTION</b> .....	<b>2.1</b>	<b>SRS (AIRBAG)</b> .....	<b>36.1</b>	Brake lamps and reverse lamps .....	<b>43.1</b>
<b>ANTI-THEFT ALARM AND HORN</b> .....	<b>3.1</b>	<b>SEAT BELT WARNING (JAPAN)</b> .....	<b>37.1</b>	Head, side, tail and number plates lamps.....	<b>43.2</b>
<b>SUNROOF</b> .....	<b>6.1</b>	<b>CATALYST OVERHEAT (JAPAN)</b> .....	<b>37.2</b>	Front fog and driving lamps .....	<b>43.3</b>
<b>CHARGING AND STARTING</b>		<b>AIR CONDITIONING</b> .....	<b>38.1</b>	Front fog and driving lamps (Japan) .....	<b>43.4</b>
MPI .....	<b>15.1</b>	<b>HEATER BLOWER</b> .....	<b>39.1</b>	Rear fog lamps.....	<b>43.5</b>
SPi (JAPAN).....	<b>15.2</b>	<b>COOLING FAN</b>		Headlamp levelling .....	<b>43.6</b>
<b>ENGINE MANAGEMENT SYSTEM</b>		MPI .....	<b>39.2</b>	<b>INDICATORS AND HAZARDS</b> .....	<b>44.1</b>
MPI .....	<b>20.1</b>	SPi (JAPAN).....	<b>39.3</b>	<b>INTERIOR LAMPS</b> .....	<b>45.1</b>
SPi (JAPAN).....	<b>20.3</b>	<b>HEATED REAR WINDOW</b> .....	<b>40.1</b>	<b>INTERIOR ILLUMINATION</b> .....	<b>46.1</b>
		<b>WIPERS AND WASHERS</b> .....	<b>42.1</b>	<b>INSTRUMENTS</b> .....	<b>47.1</b>
				<b>IN-CAR ENTERTAINMENT</b>	
				Radio cassette player .....	<b>50.1</b>
				Radio CD player .....	<b>50.2</b>

**THE CIRCUITS CONTAINED WITHIN THIS PUBLICATION ARE ONLY VALID FOR VEHICLES WITH THE VIN NUMBERS SPECIFIED BELOW:**

**Japan only - SAXXNNAXKBD 134455  
All other vehicles - SAXXNNAZEBD 134455**

**COLOUR CODES****DRAADKLEURCODES****CODES DES COULEURS DES FILS****KABELFARBCODES****CODICI COLORI DEI CAVI****CÓDIGOS DE COLORES DE LOS CABLES****CÓDIGOS DAS CORES DOS FIOS**

<b>CODE COLOUR</b>	<b>CODE KLEUR</b>	<b>CODE COULEUR</b>	<b>CODE FARBE</b>	<b>CODICE COLORE</b>	<b>CODIGO COLOR</b>	<b>CÓDIGO COR</b>
B BLACK	B ZWART	B NOIR	B SCHWARZ	B NERO	B NEGRO	B PRETO
G GREEN	G GROEN	G VERT	G GRÜN	G VERDE	G VERDE	G VERDE
K PINK	K ROZE	K ROSE	K ROSA	K ROSA	K ROSA	K ROSA
LG LIGHT GREEN	LG LICHTGROEN	LG VERT CLAIR	LG HELLGRÜN	LG VERDE CHIARO	LG VERDE CLARO	LG VERDE CLARO
N BROWN	N BRUIN	N BRUN	N BRAUN	N MARRONE	N MARRON	N CASTANHO
O ORANGE	O ORANJE	O ORANGE	O ORANGE	O ARANCIONE	O NARANJA	O LARANJA
P PURPLE	P PAARS	P VIOLET	P LILA	P PORPORA	P PURPURA	P ROXO
R RED	R ROOD	R ROUGE	R ROT	R ROSSO	R ROJO	R VERMELHO
S SLATE (grey)	S LEIGRIJS	S GRIS	S GRAU	S ARDESIA (grigio)	S PIZARRA (gris)	S CINZENTO
U BLUE	U BLAUW	U BLEU	U BLAU	U BLU	U AZUL	U AZUL
W WHITE	W WIT	W BLANC	W WEISS	W BIANCO	W BLANCO	W BRANCO
Y YELLOW	Y GEEL	Y JAUNE	Y GELB	Y GIALLO	Y AMARILLO	Y AMARELO

# HOW TO USE THE CIRCUIT DIAGRAMS

All of the information in this folder is intended for use with the Electrical Reference Library on TestBook.

The circuit diagrams are presented with Power and Ground distribution first, followed by individual circuits for each electrical system on the car.

Wiring between connectors and components shown in the diagrams represents the actual wiring as it exists on the vehicle. A chart is provided, giving colour codes for the wiring colour identification.

## Power Distribution

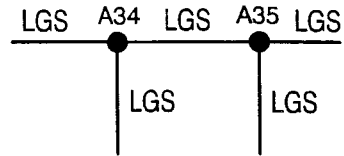
The Power Distribution diagram shows the connections from the battery to the engine and passenger compartment fuseboxes. It also shows the internal circuitry of both the passenger and engine compartment fuseboxes.

## Earth Distribution

The earth distribution diagram shows the individual earth points and all the circuits affected by them.

## SYMBOLS USED IN THE CIRCUIT DIAGRAMS

### Wire colour



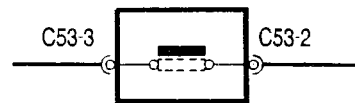
### 86M3823

Wire insulation is either all one colour, or is one predominant colour with a stripe in a second colour. Wire colours are identified by a letter code, the main colour is identified first. LG/S = Light green / Slate stripe.

### Sealed joints

Each sealed joint is identified by a number with an alphabetical character prefix. These can be used to identify where a sealed joint appears on more than one circuit and assists in understanding the relationships between circuits.

### Connectors



### 86M3824

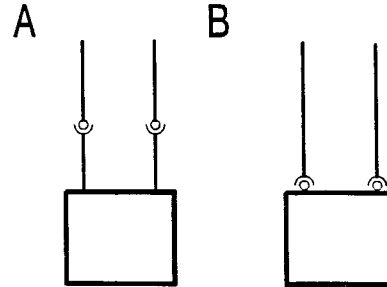
The connector number has two parts; the first part is the connector identifier i.e. C53, the second part is the pin number, i.e. C53-3 which indicates that the particular wire is connected to pin number 3. Should be used in conjunction with the Connector Detail section of the Electrical Reference Library.

### Line types



### 86M3825

This means the wire connects to another circuit or component.

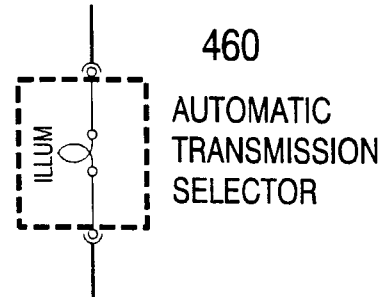


### 86M3826

Connector - Direction of the 'symbol' indicates male and female halves of connector.

- A. Plug on lead (Fylead) wired directly to the component.
- B. Connector plugs directly into component.

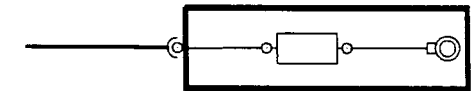
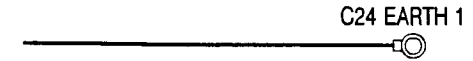
### Components



### 86M3827

Name or description - appears next to the component.

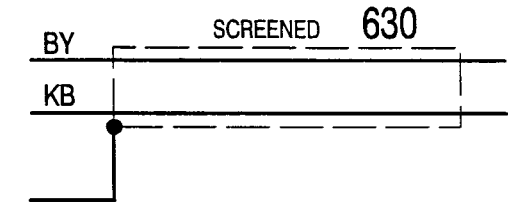
### Earth points



EARTH VIA FIXING

### 86M3829

An eyelet symbol drawn within a box and without a connector number indicates that a component is earthed by its fixing. All other earth terminals are shown with a connector number, and these are either earth points or earth headers. The location of earth headers can be determined using the connector number and referring to the Earth Points and Headers section of the Electrical Reference Library.



### 86M3830

Identifies Radio Frequency Interference (RFI) shielded wire. The shielding is always connected to earth.

### Fuses and Diodes

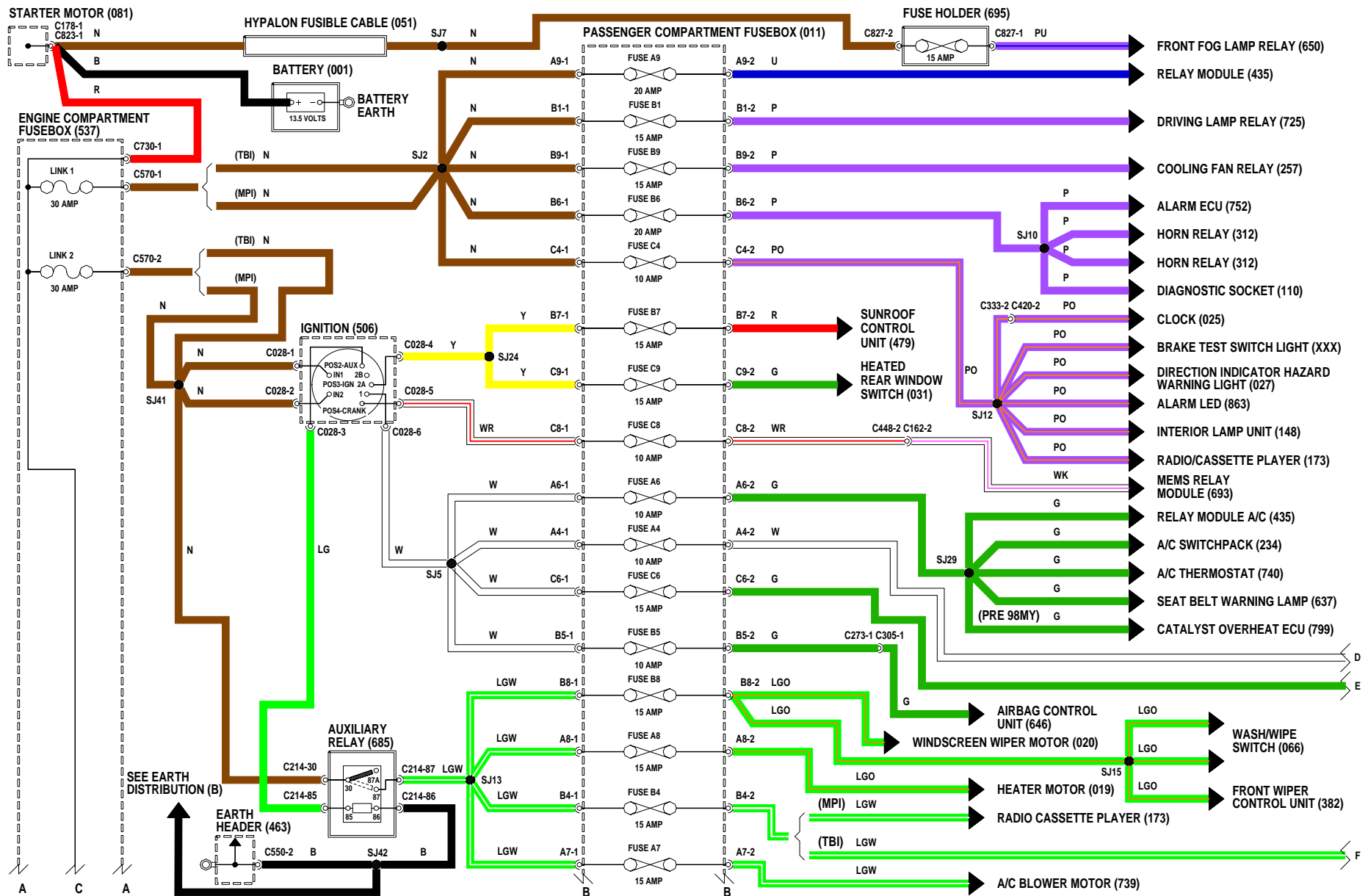


### 86M3831

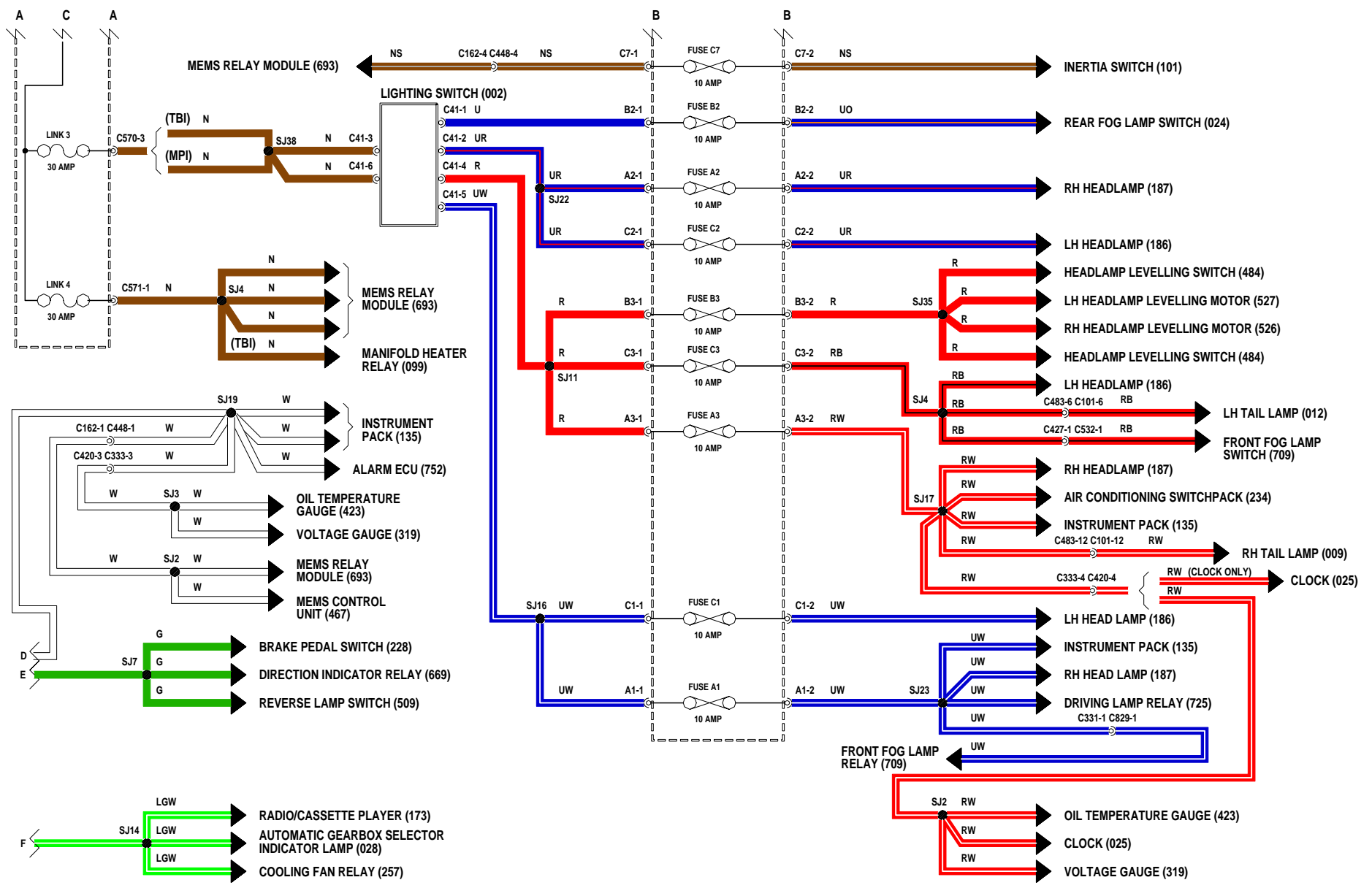
Fusible links (A) and current rated fuses (B) are drawn as shown.

Diode (C) current flow is in the direction of the arrow. Zener type diode (D) - prevents current flow until a precise voltage is reached.

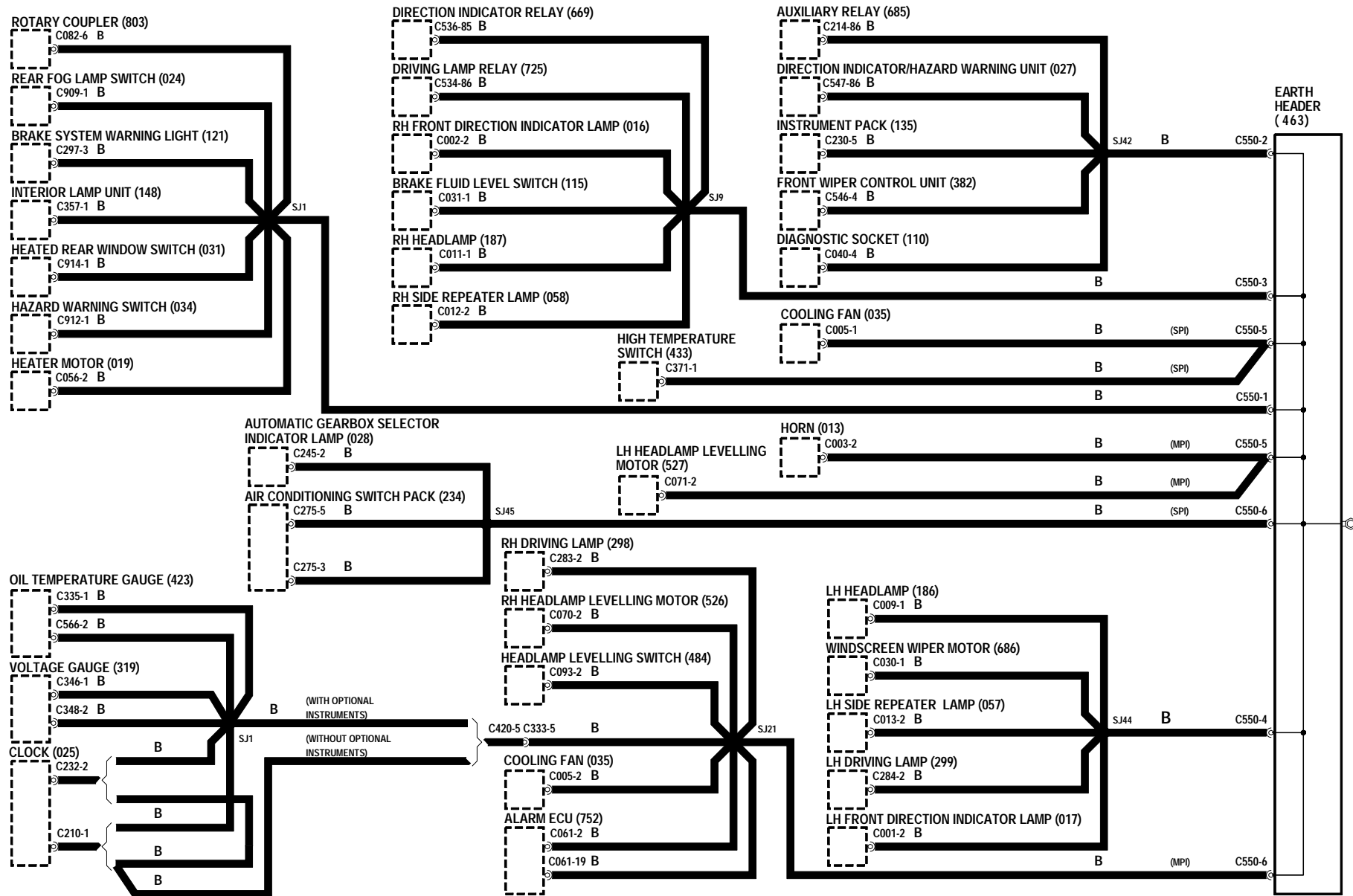
# POWER DISTRIBUTION



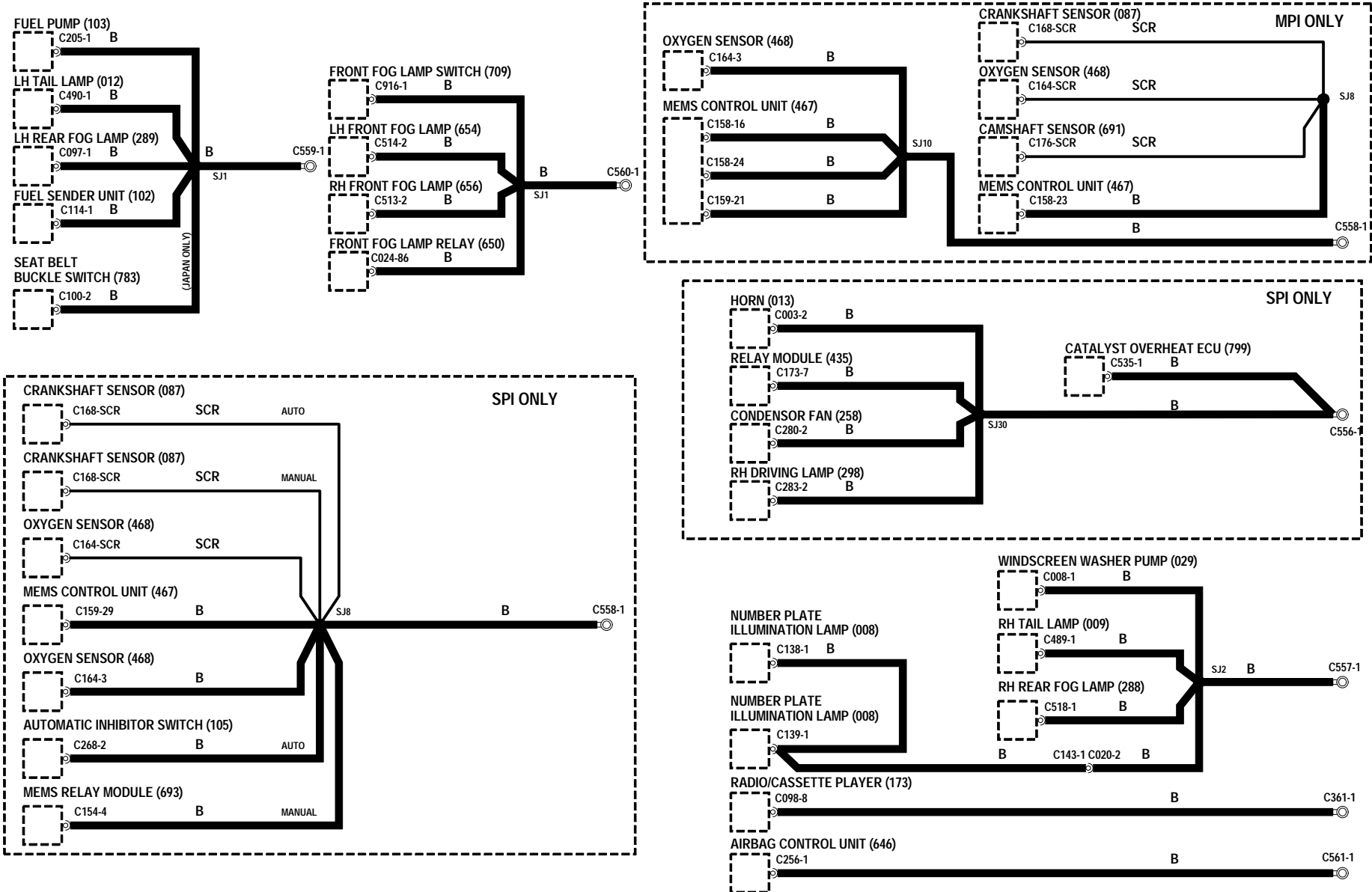
# POWER DISTRIBUTION



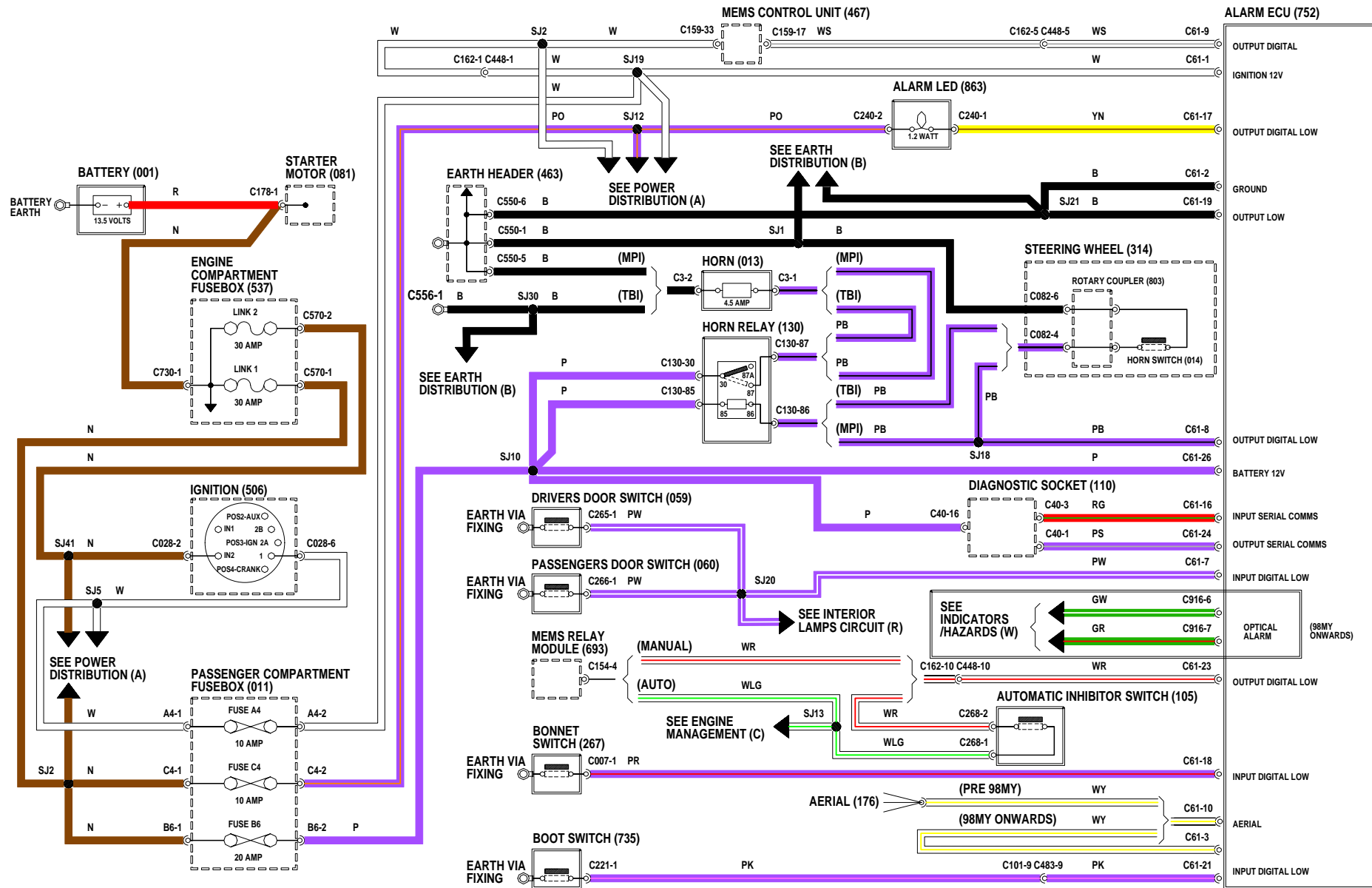
# EARTH DISTRIBUTION



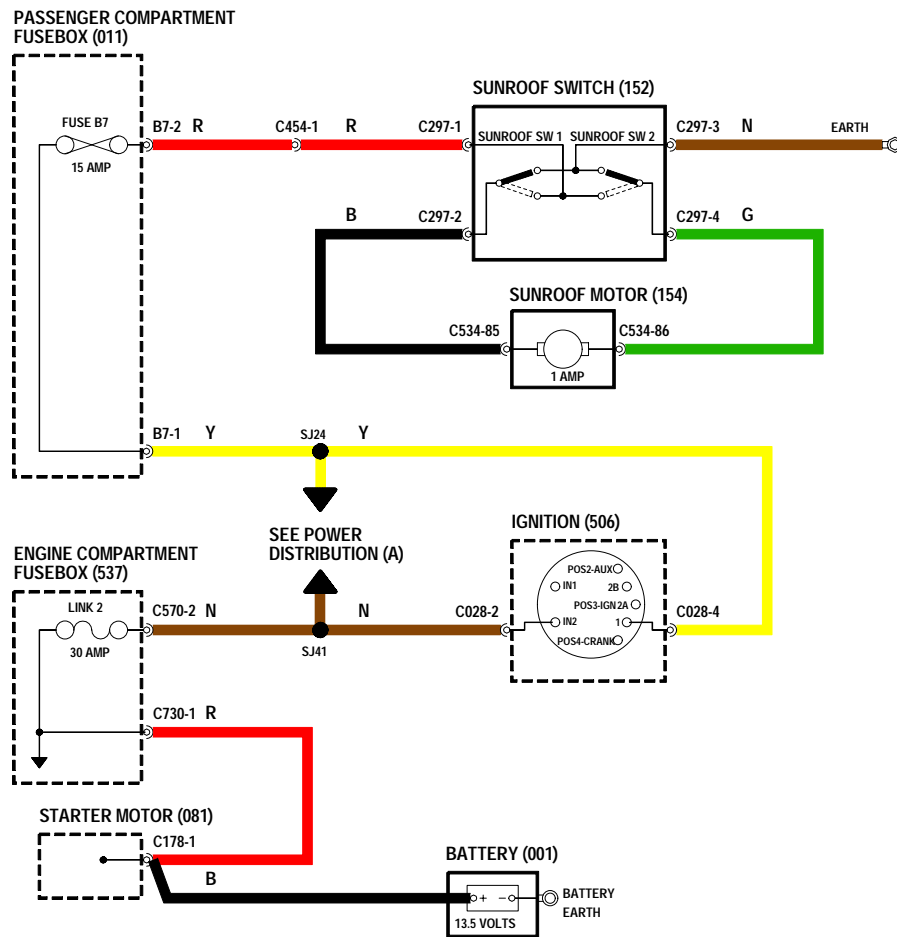
# EARTH DISTRIBUTION



# ANTI-THEFT ALARM AND HORN

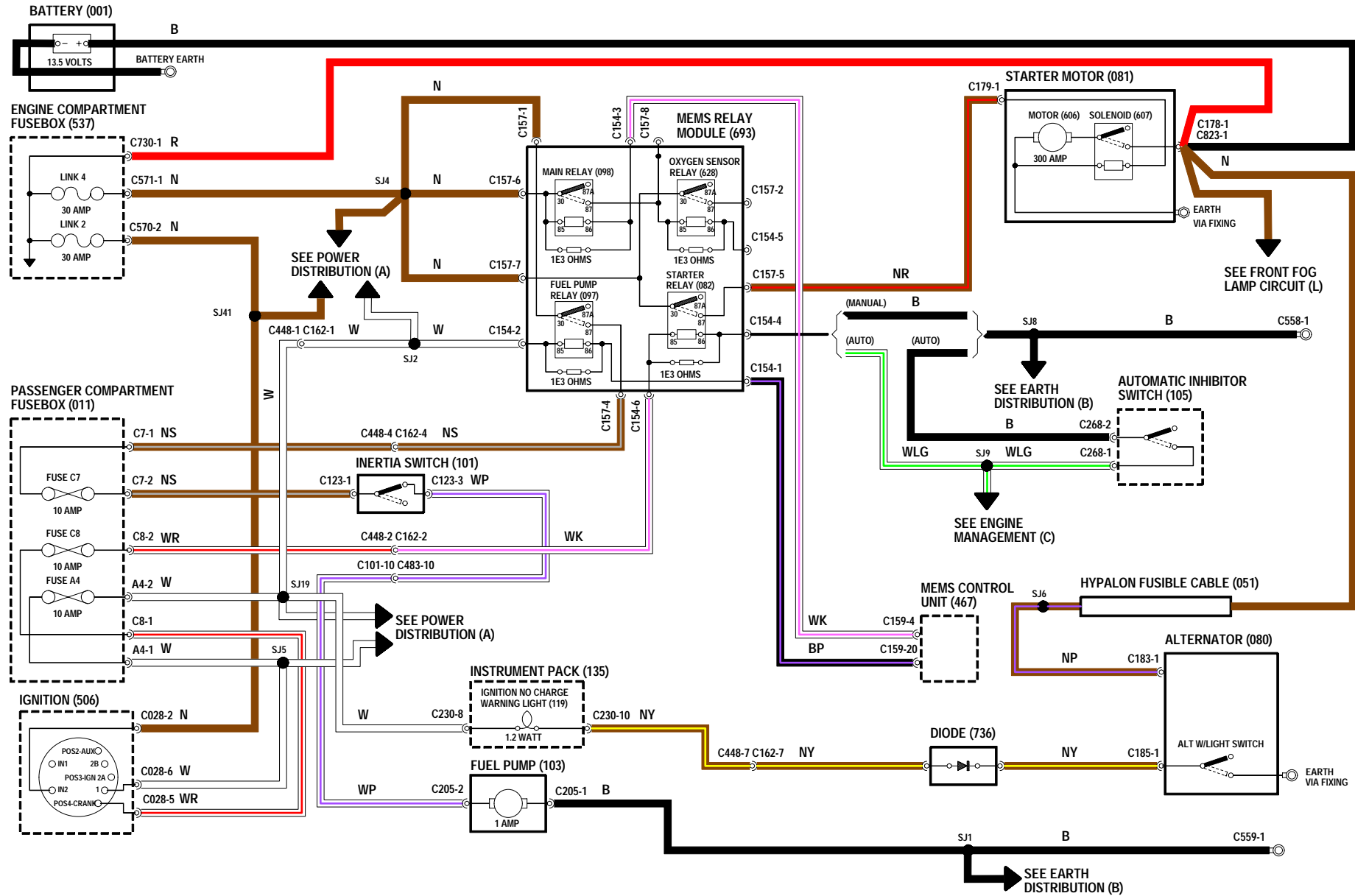


# SUNROOF

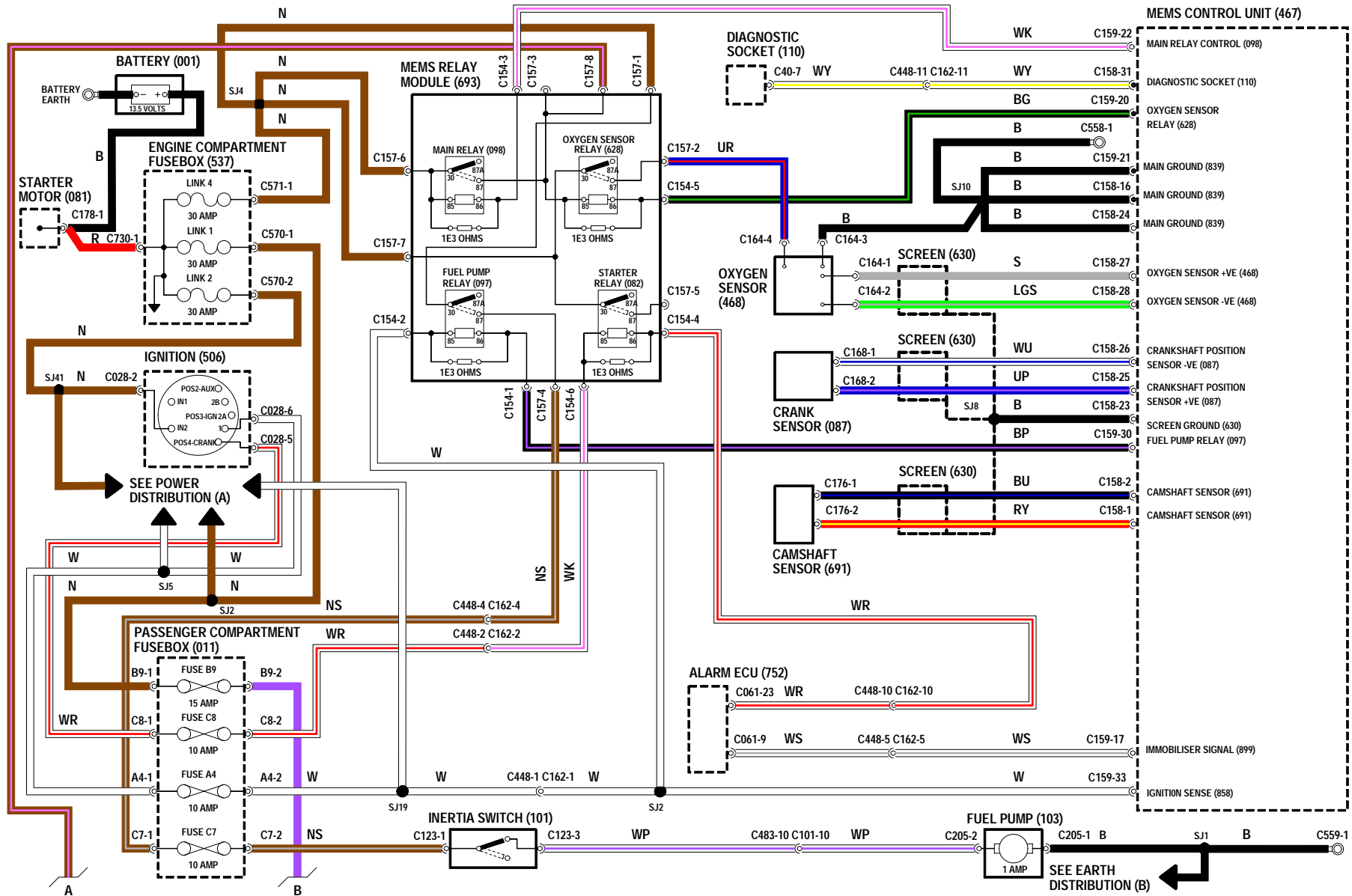




# CHARGING AND STARTING SPI (JAPAN)

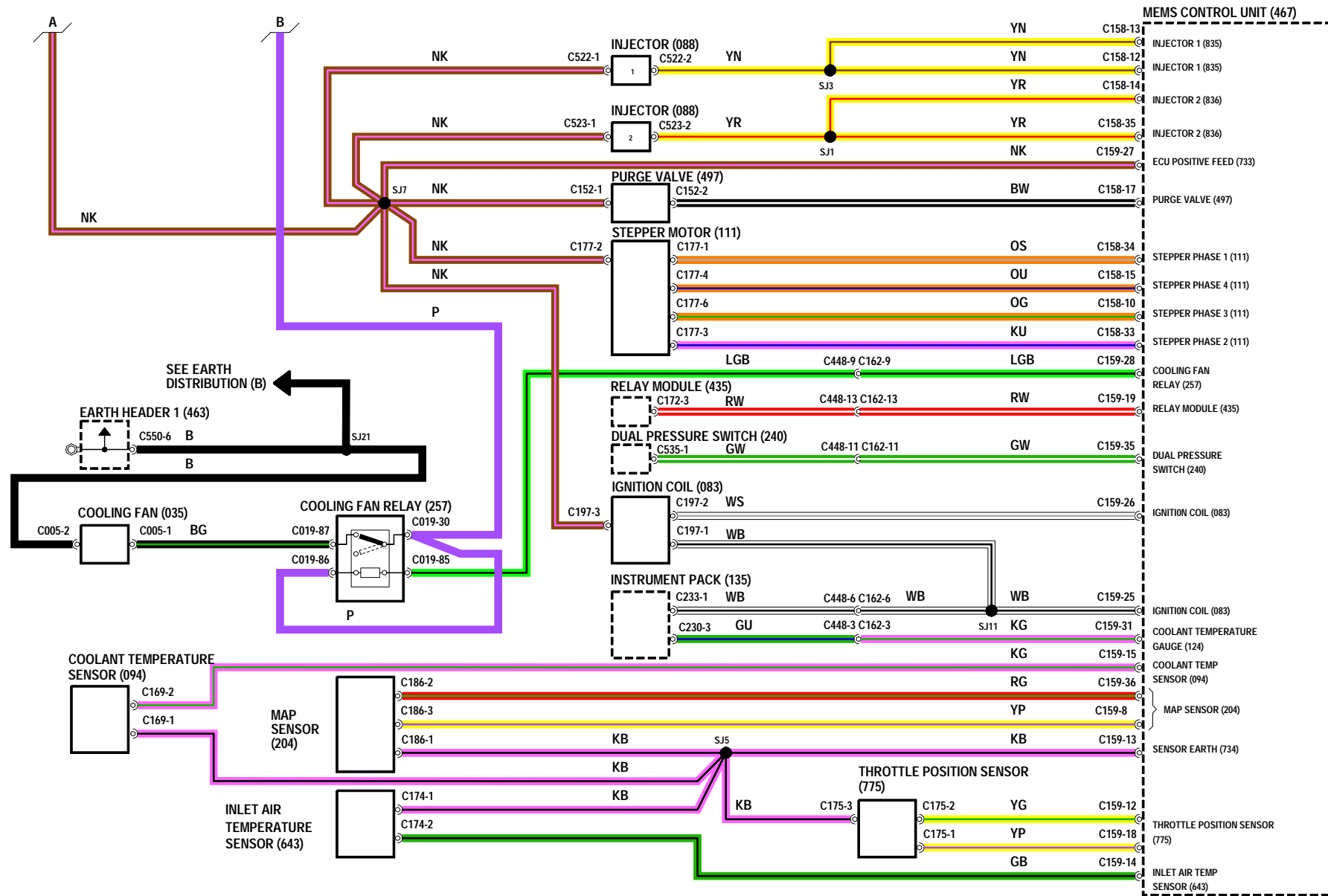


# ENGINE MANAGEMENT SYSTEM (MEMS) MPI

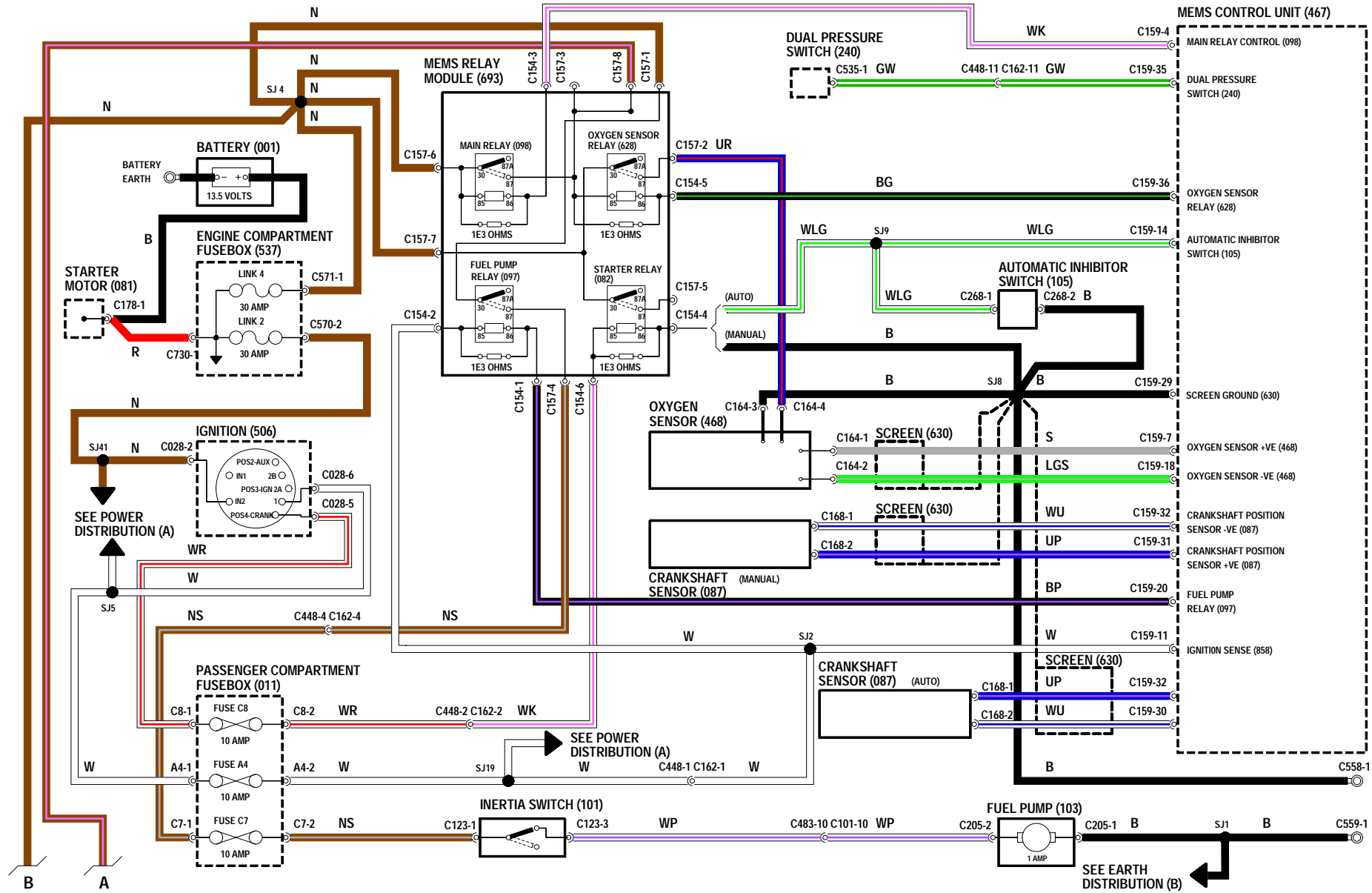


# ENGINE MANAGEMENT SYSTEM (MEMS)

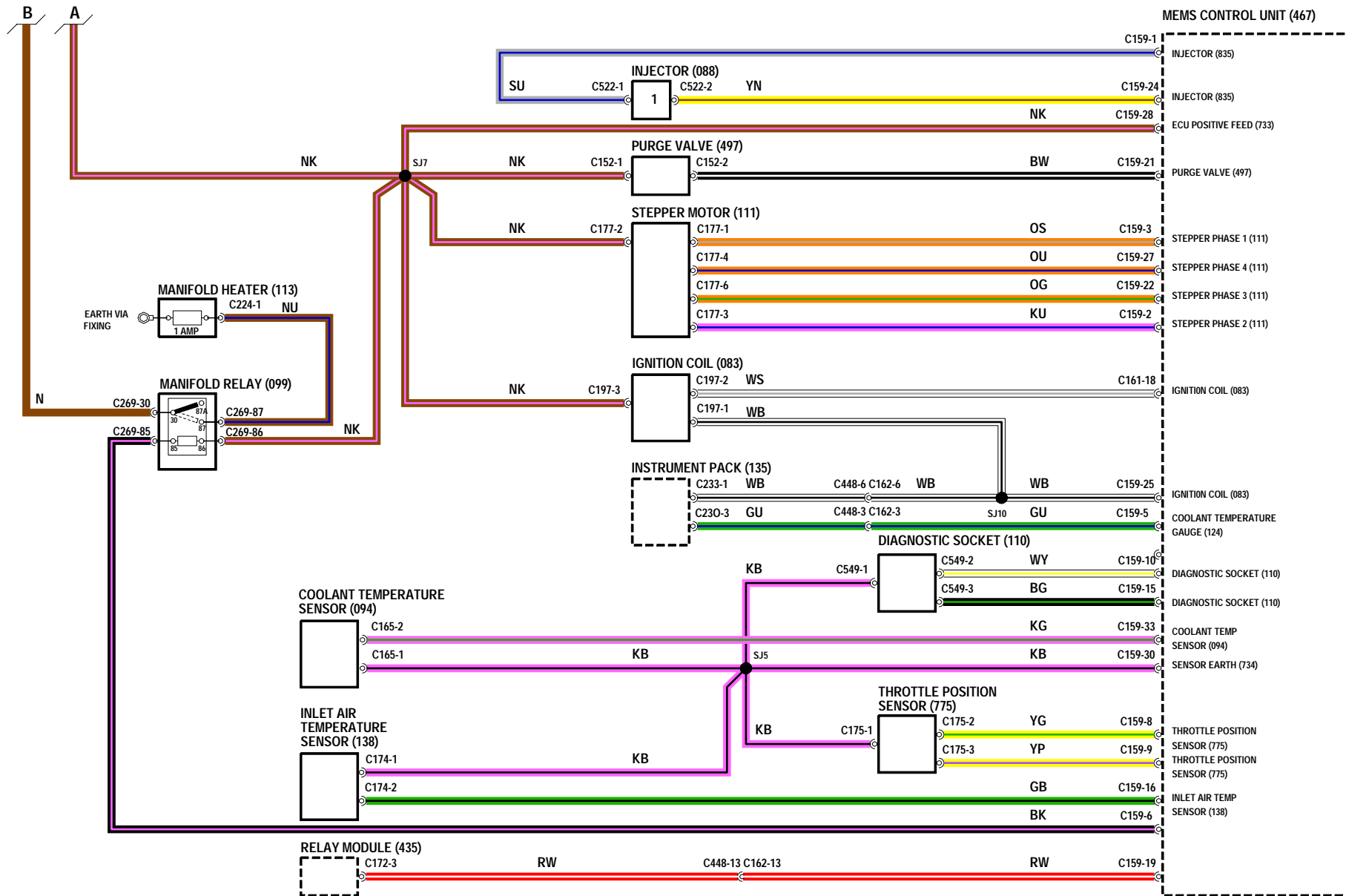
MPI



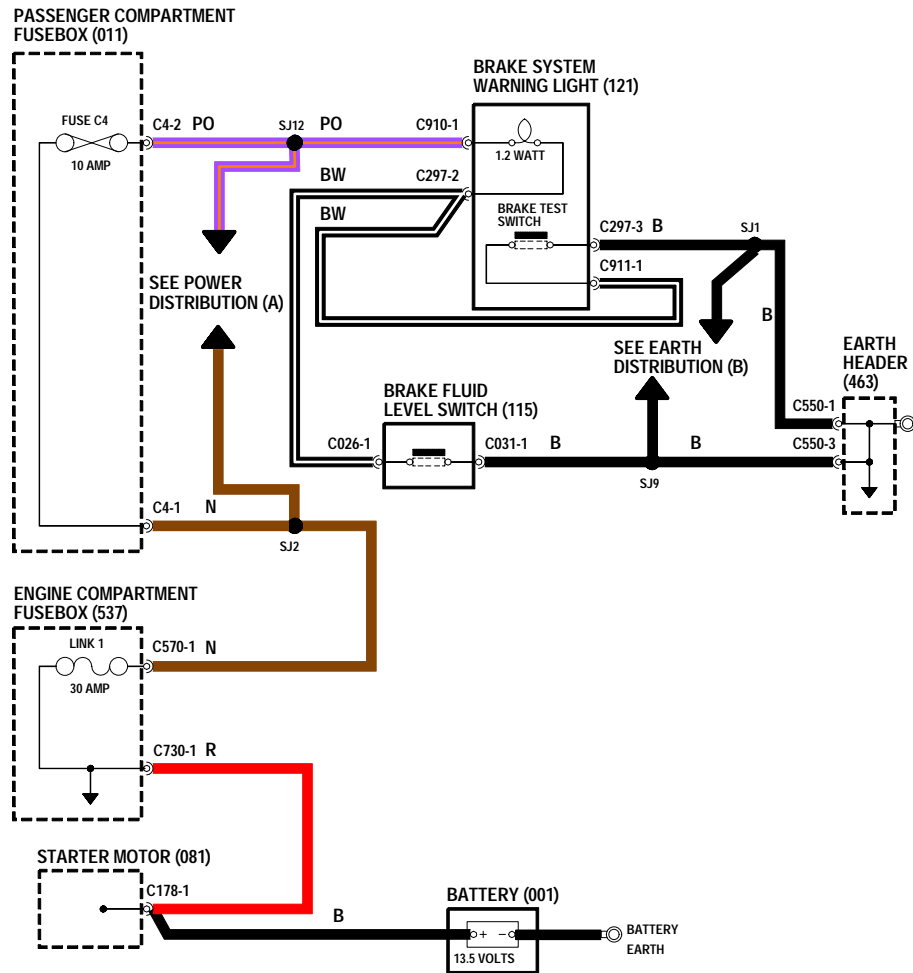
# ENGINE MANAGEMENT SYSTEM (MEMS) SPI (JAPAN)



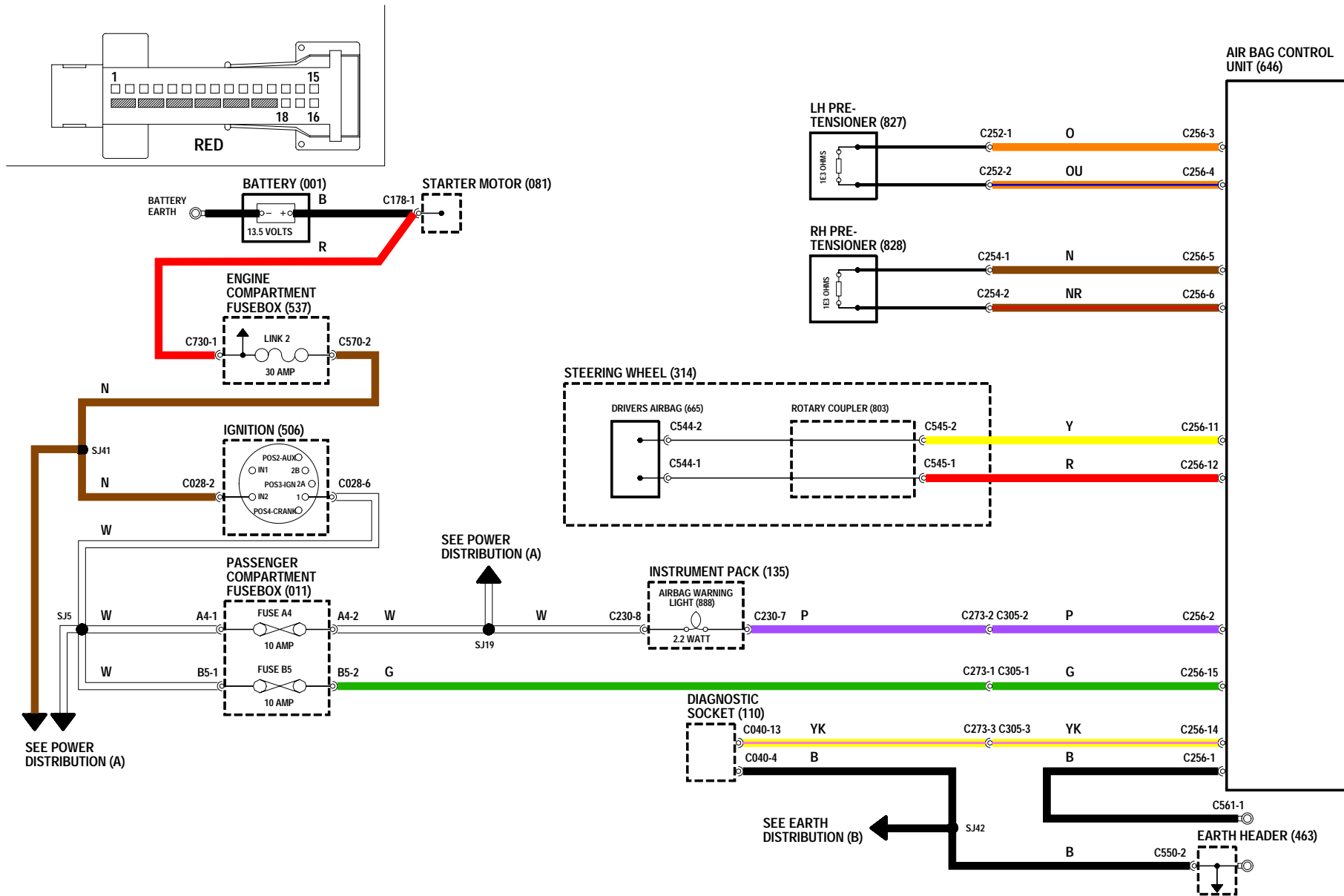
# ENGINE MANAGEMENT SYSTEM (MEMS) SPI (JAPAN)



# BRAKE FLUID LEVEL WARNING

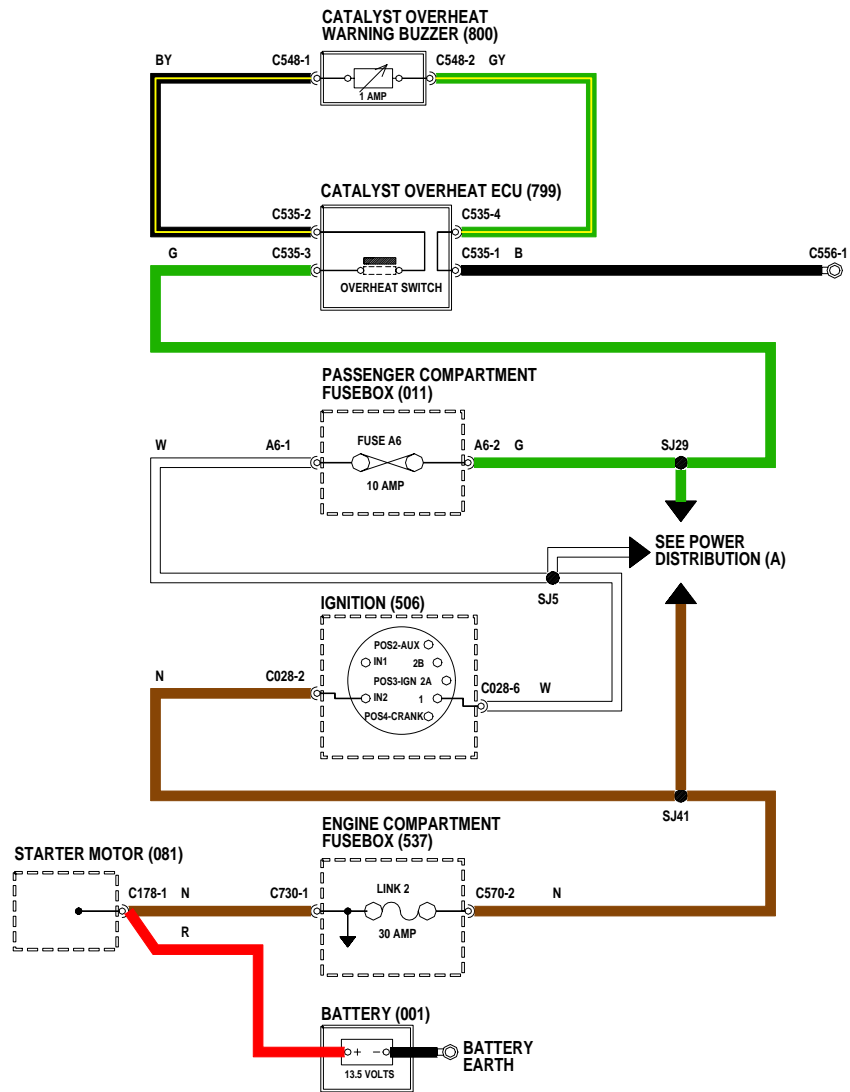


# SRS (AIRBAG)

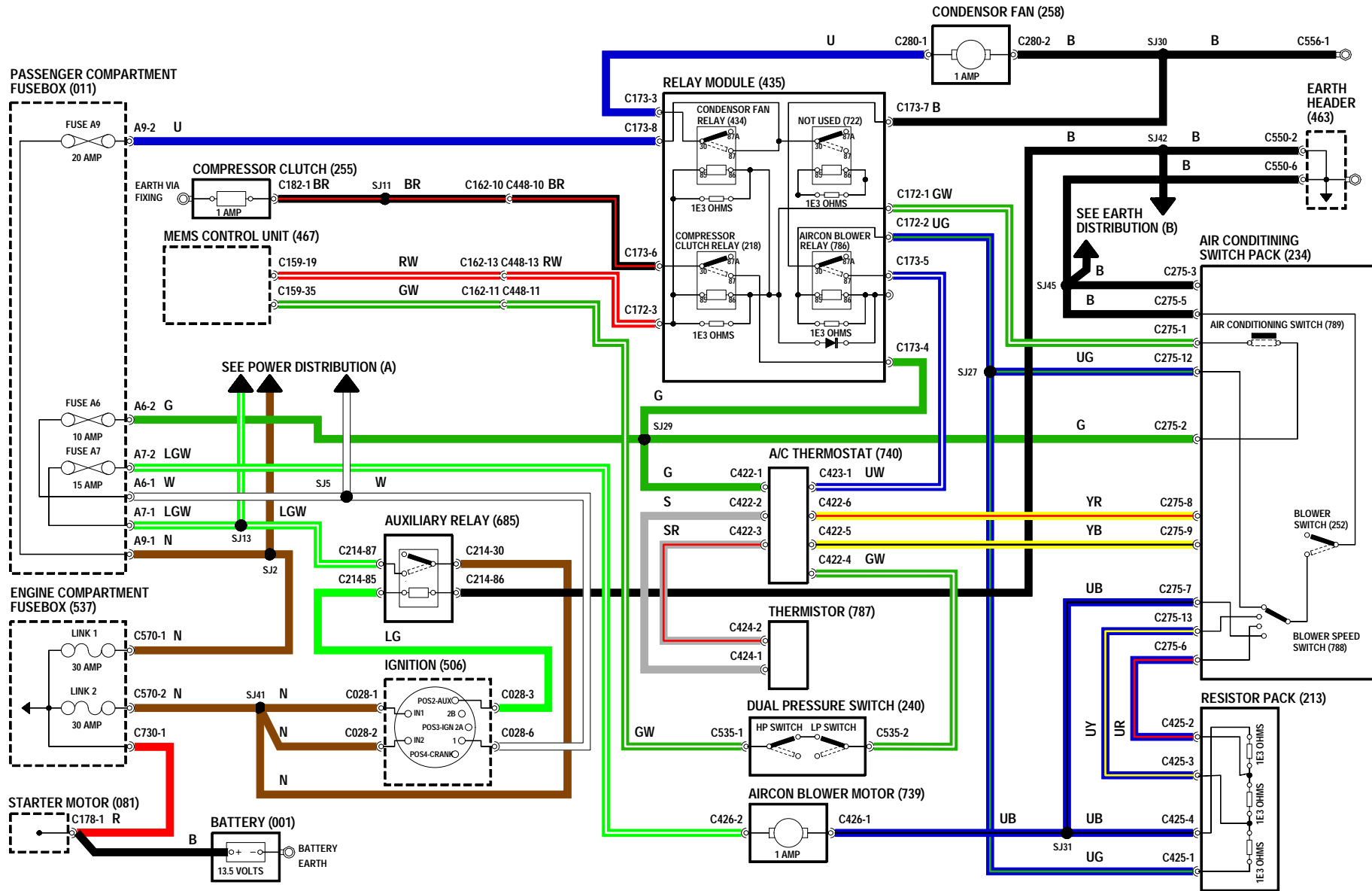




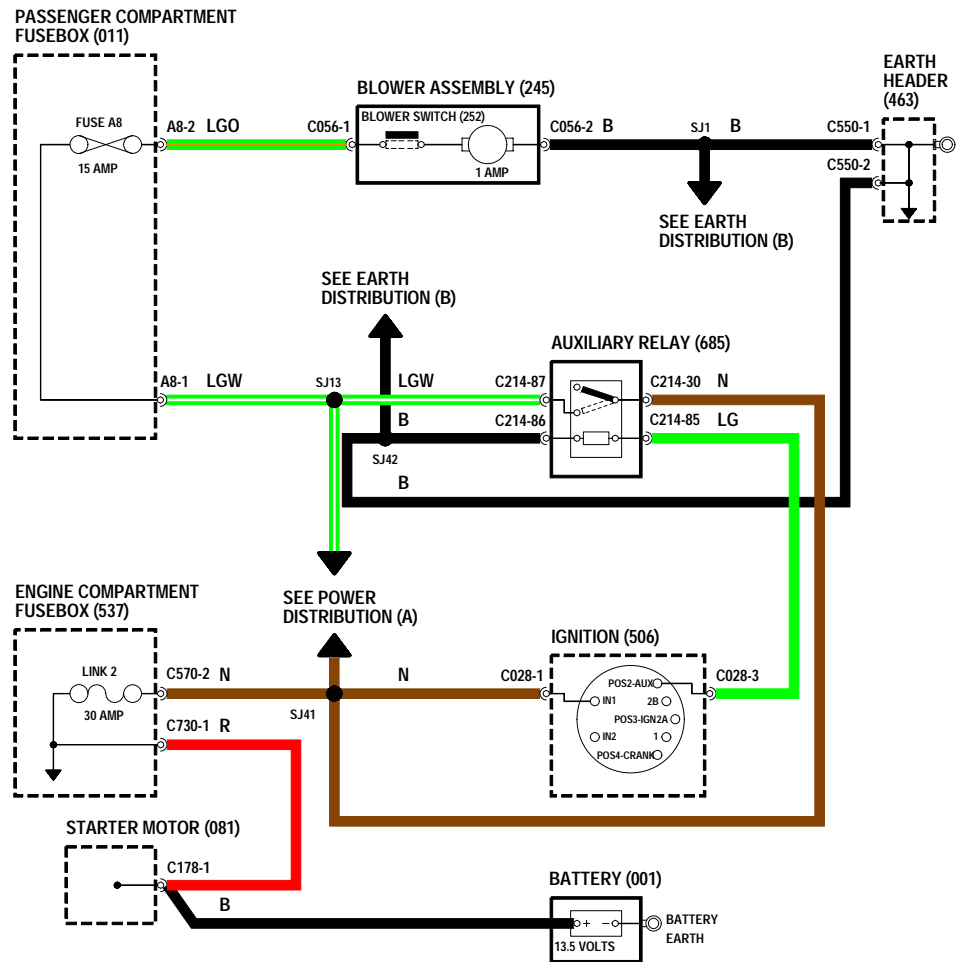
# CATALYST OVERHEAT (JAPAN - NOT 1998 MY)



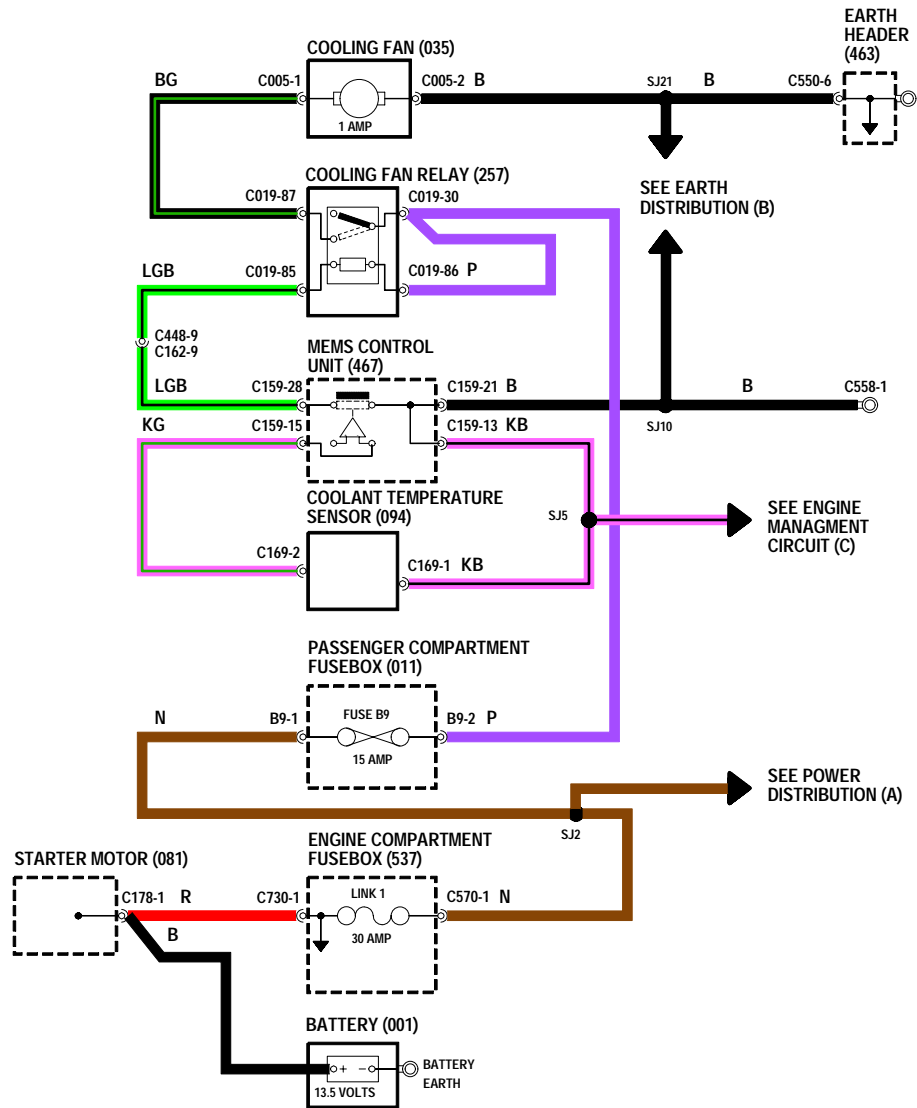
# AIR CONDITIONING (JAPAN)



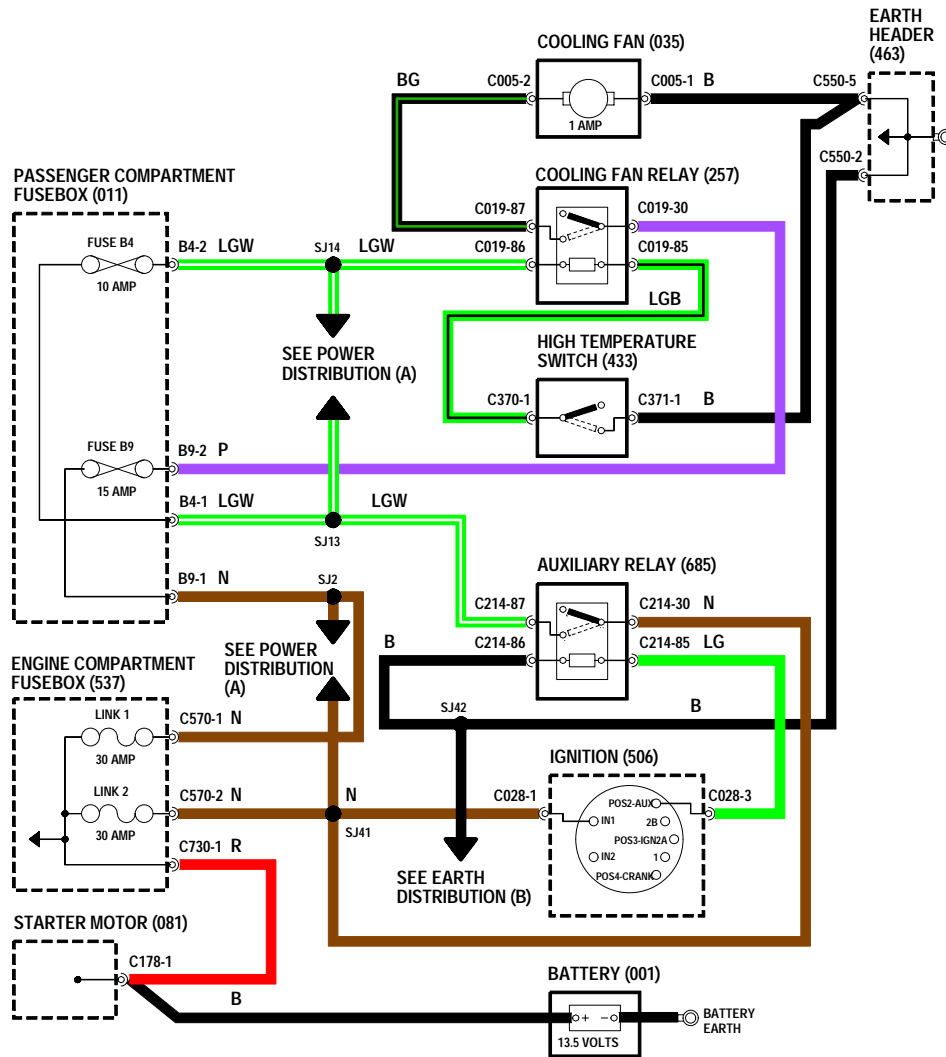
# HEATER BLOWER



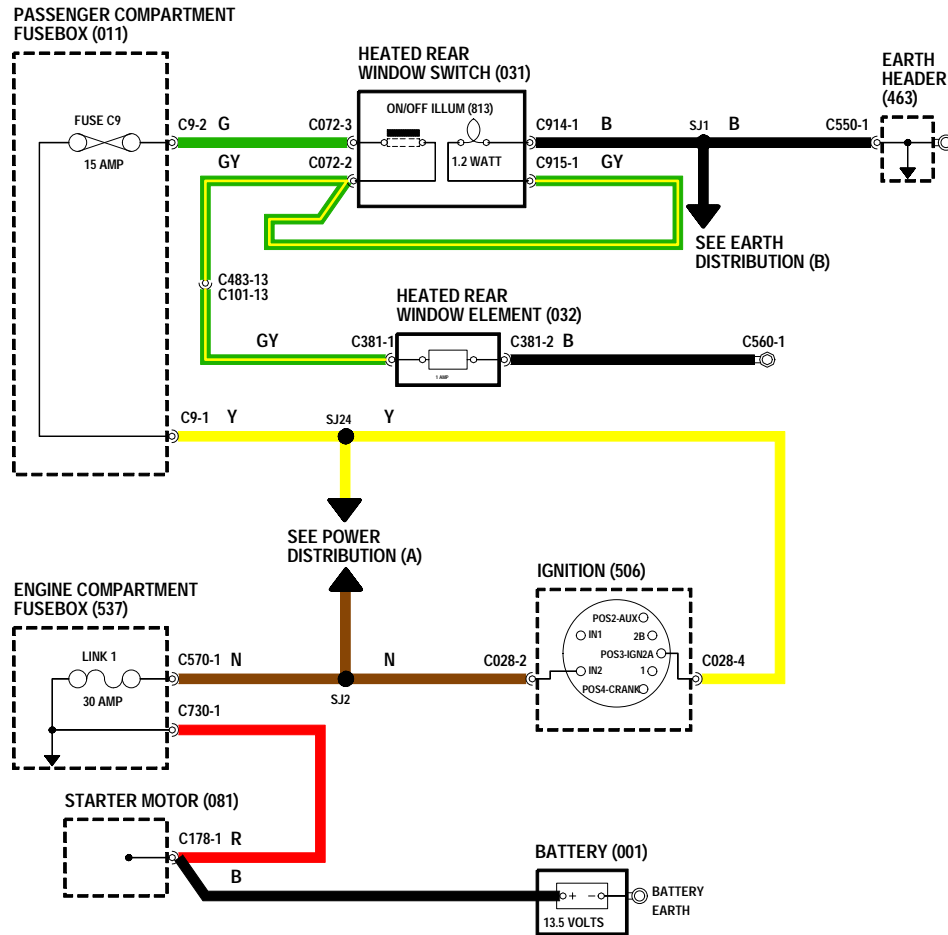
# COOLING FAN MPI



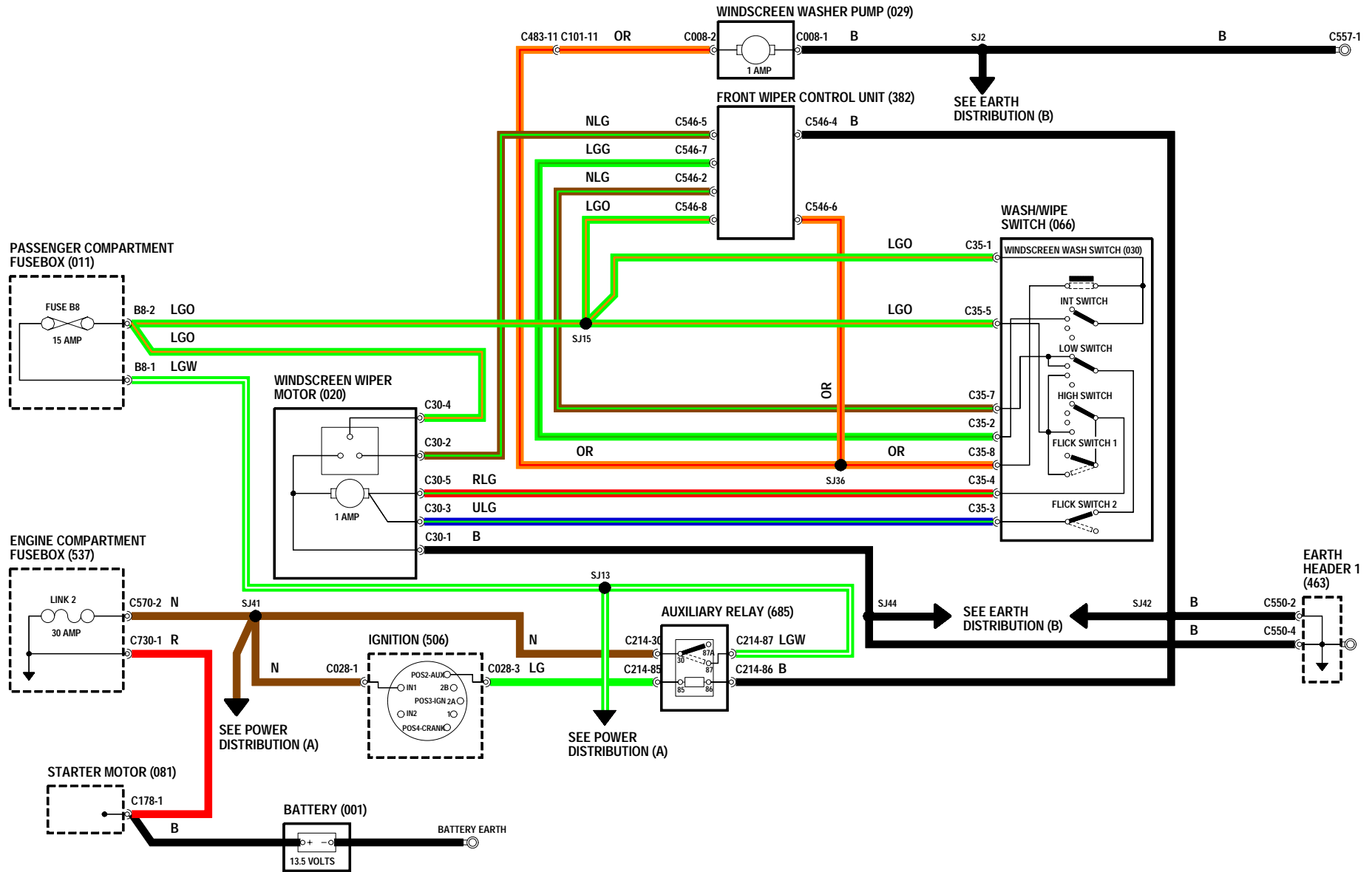
# COOLING FAN SPI (JAPAN)



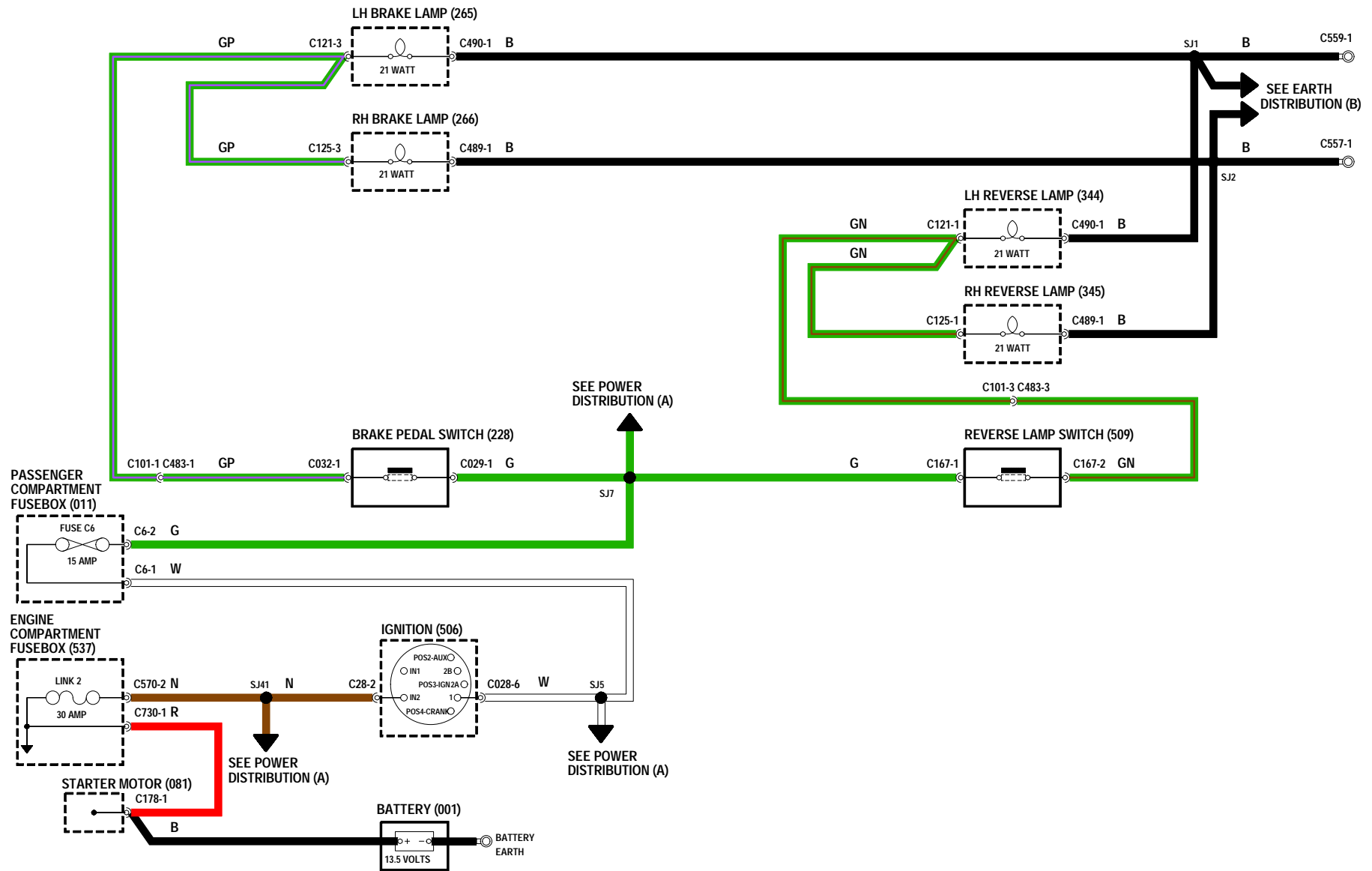
# HEATED REAR WINDOW



# WIPERS AND WASHERS

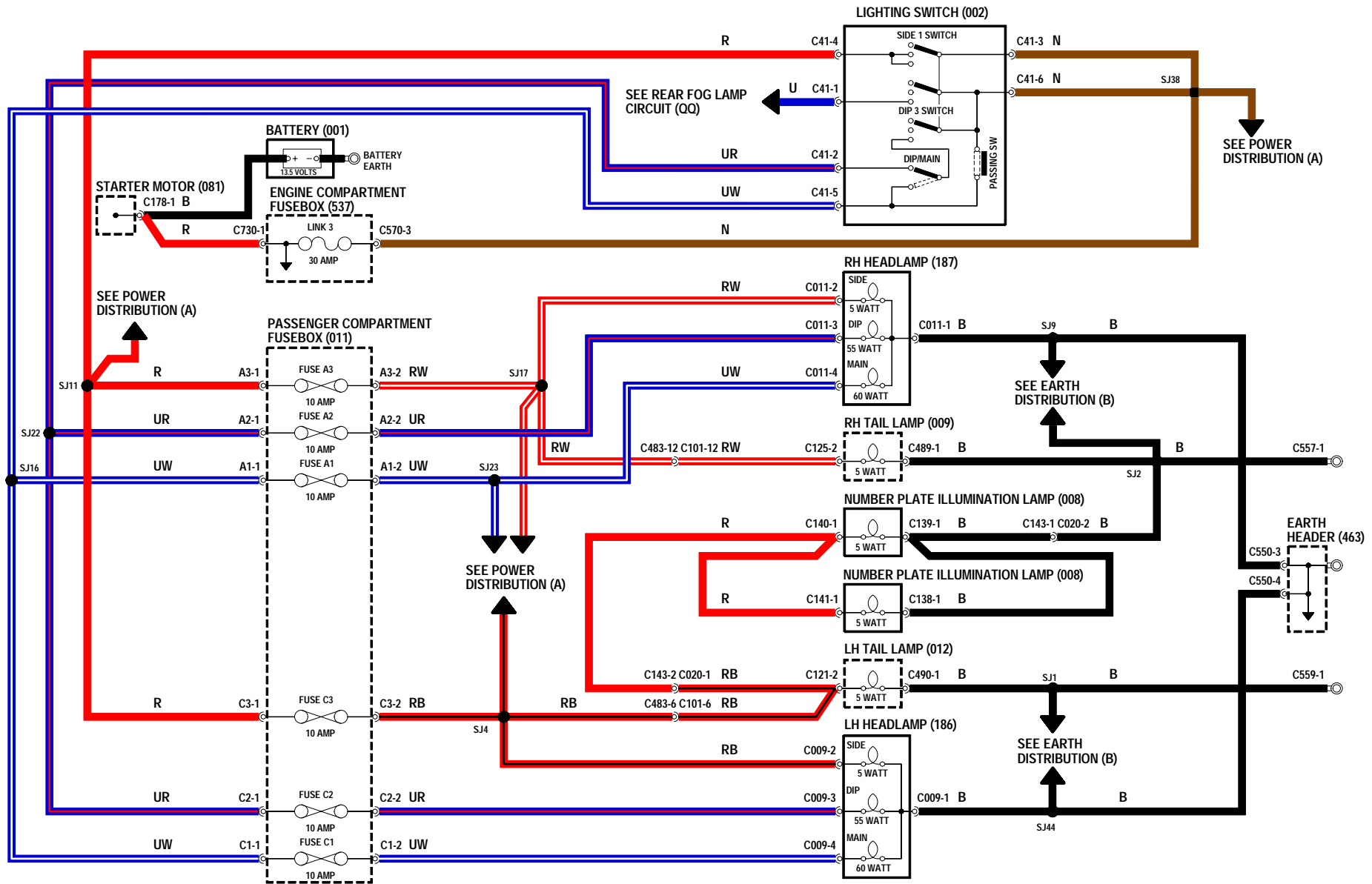


# EXTERIOR LAMPS BRAKE/REVERSE LAMPS



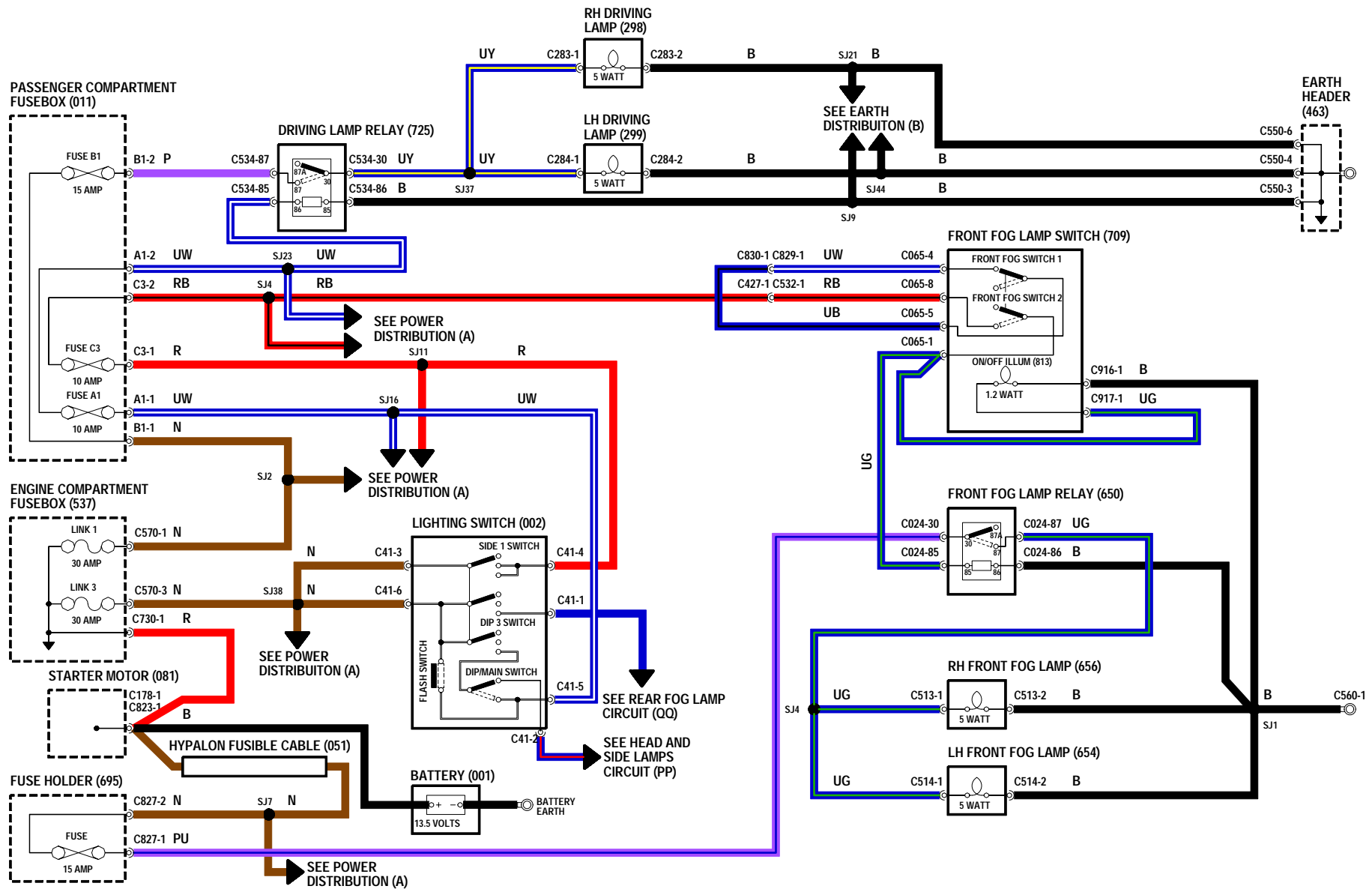
# EXTERIOR LAMPS

## HEAD, SIDE, TAIL AND NUMBER PLATE LAMPS



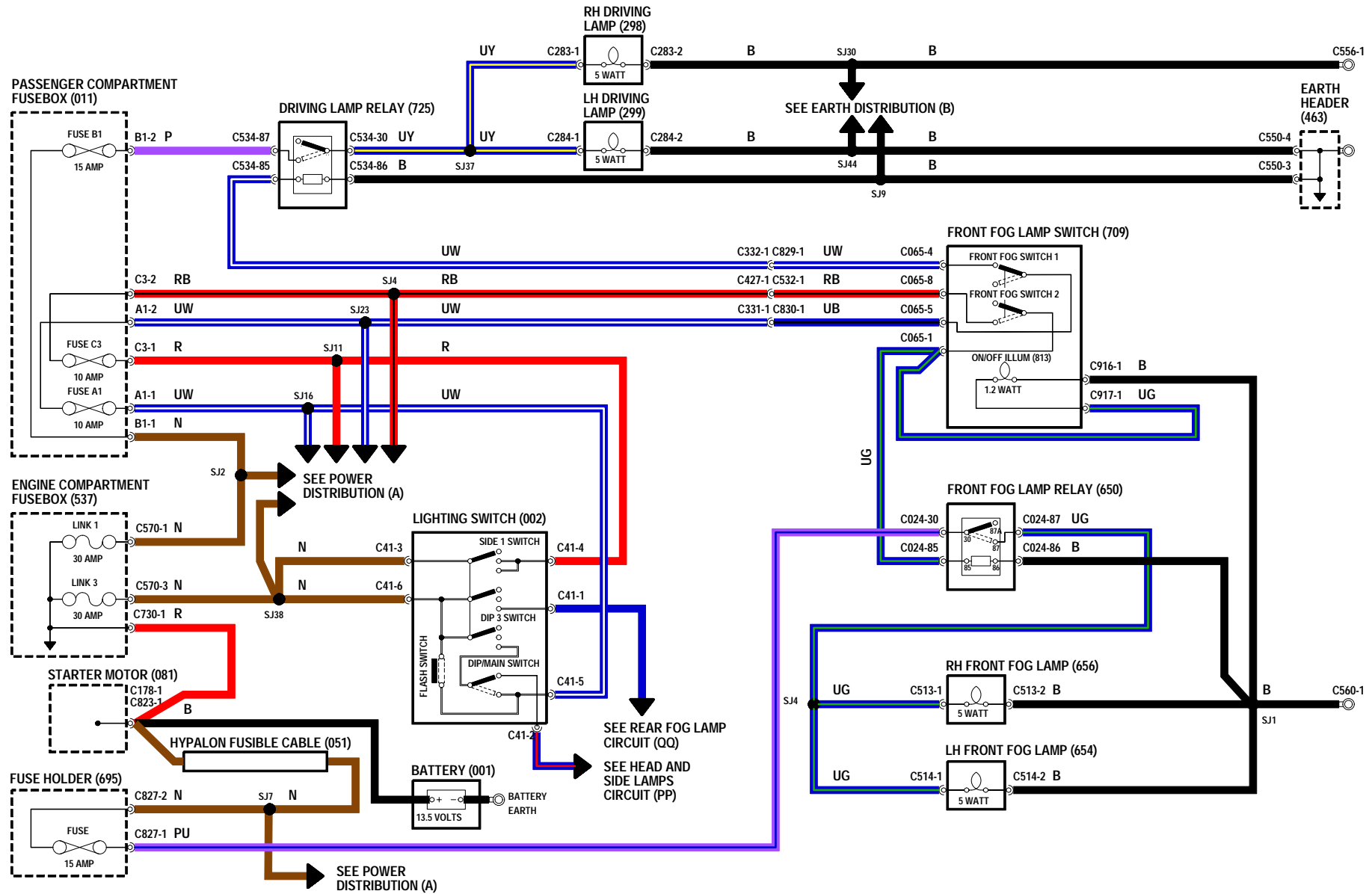
# EXTERIOR LAMPS

## FRONT FOG AND DRIVING LAMPS

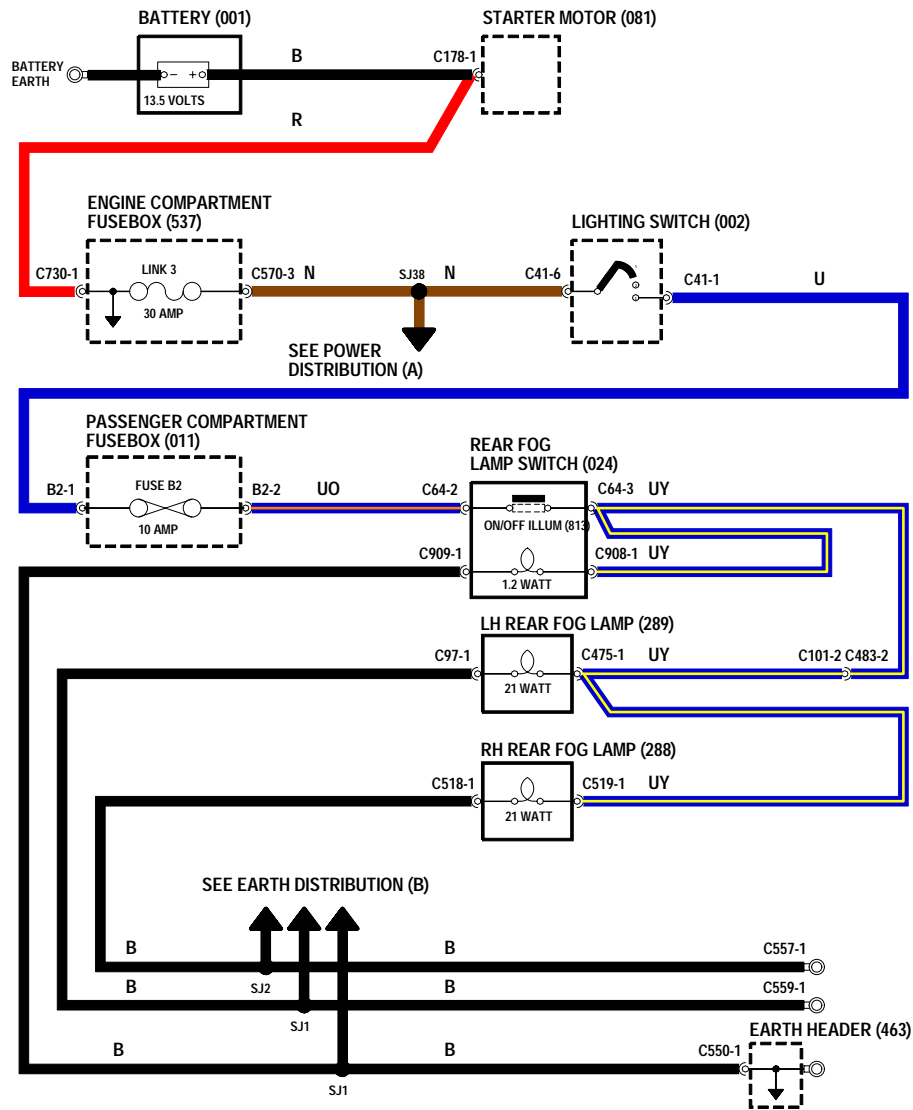


# EXTERIOR LAMPS

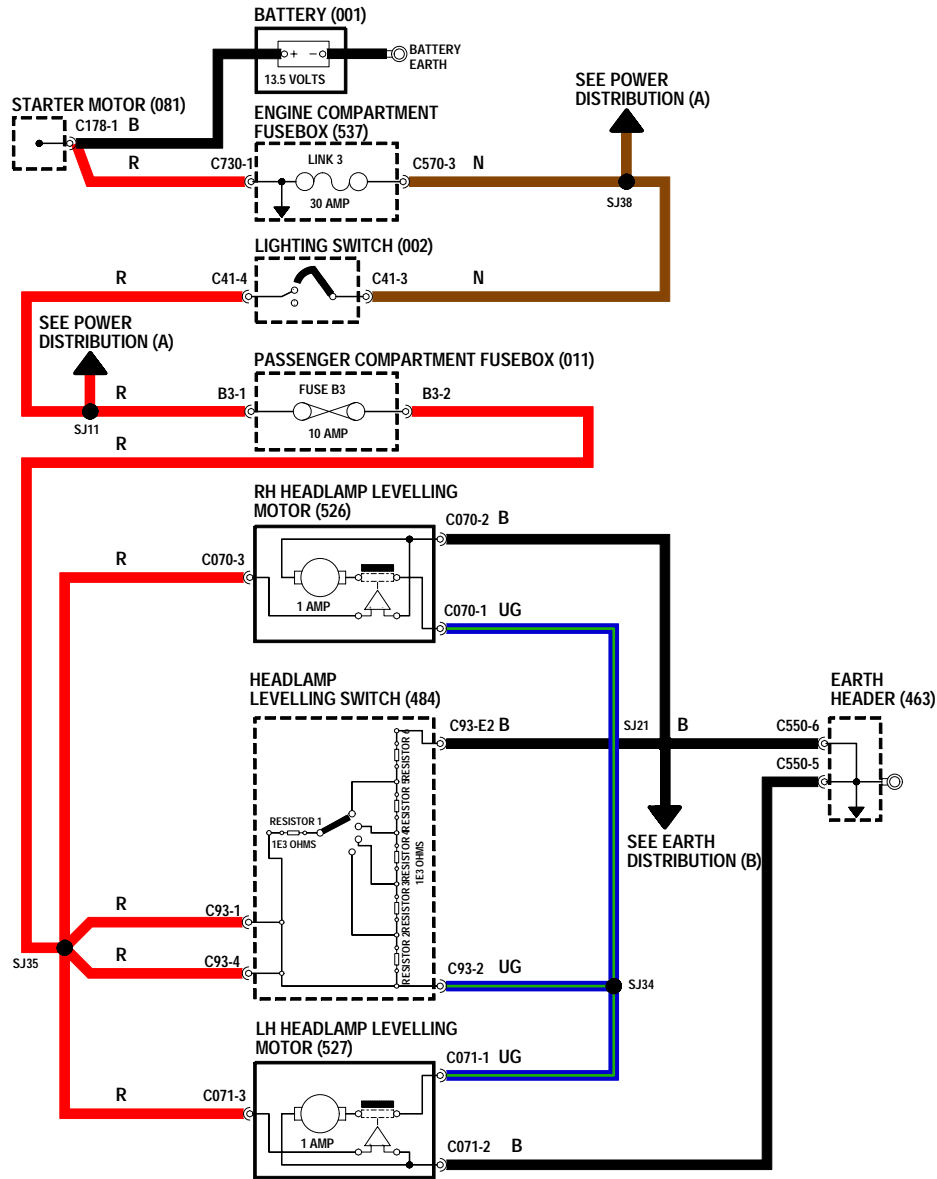
## FRONT FOG AND DRIVING LAMPS (JAPAN)



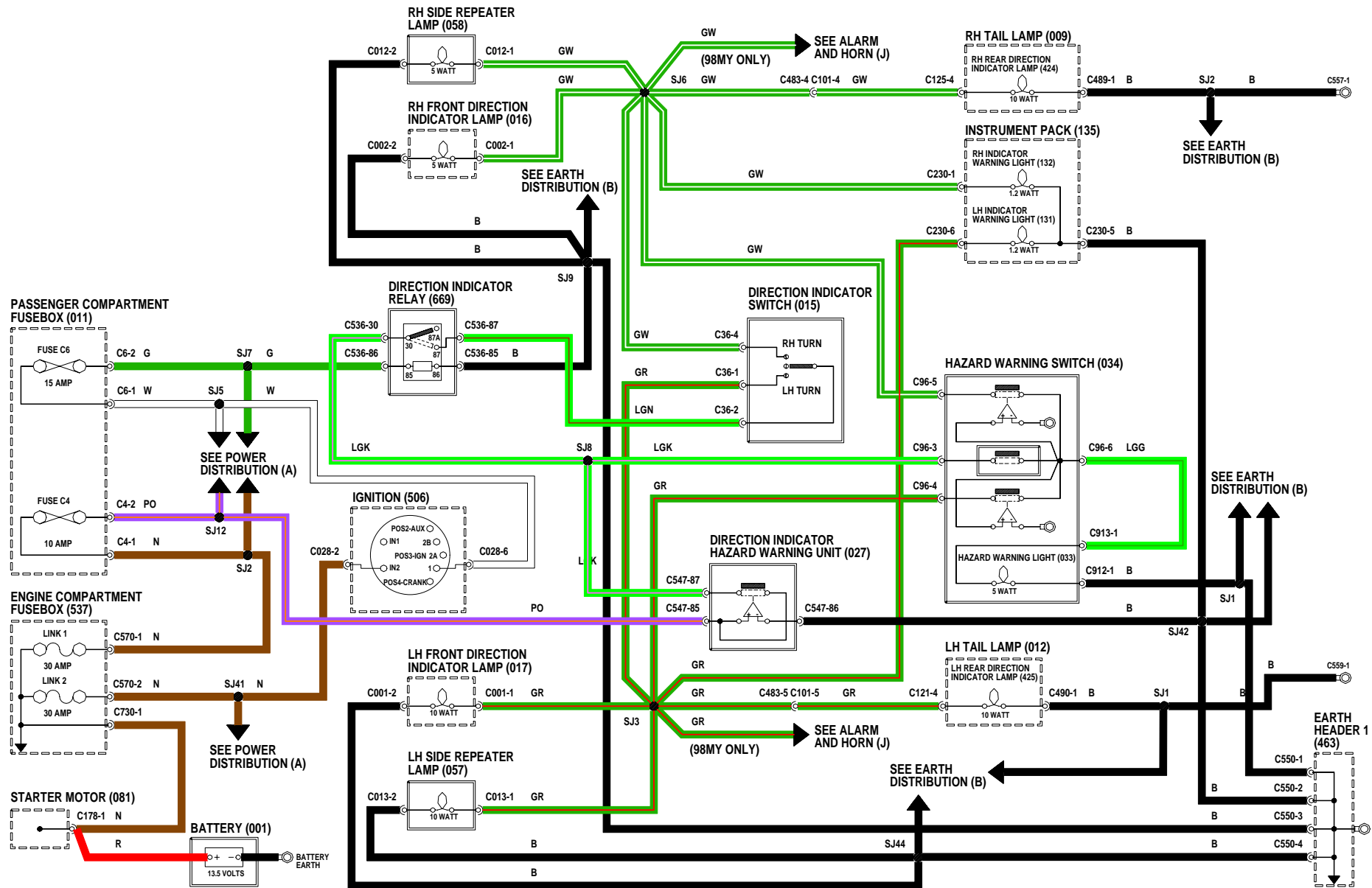
# REAR FOG LAMPS



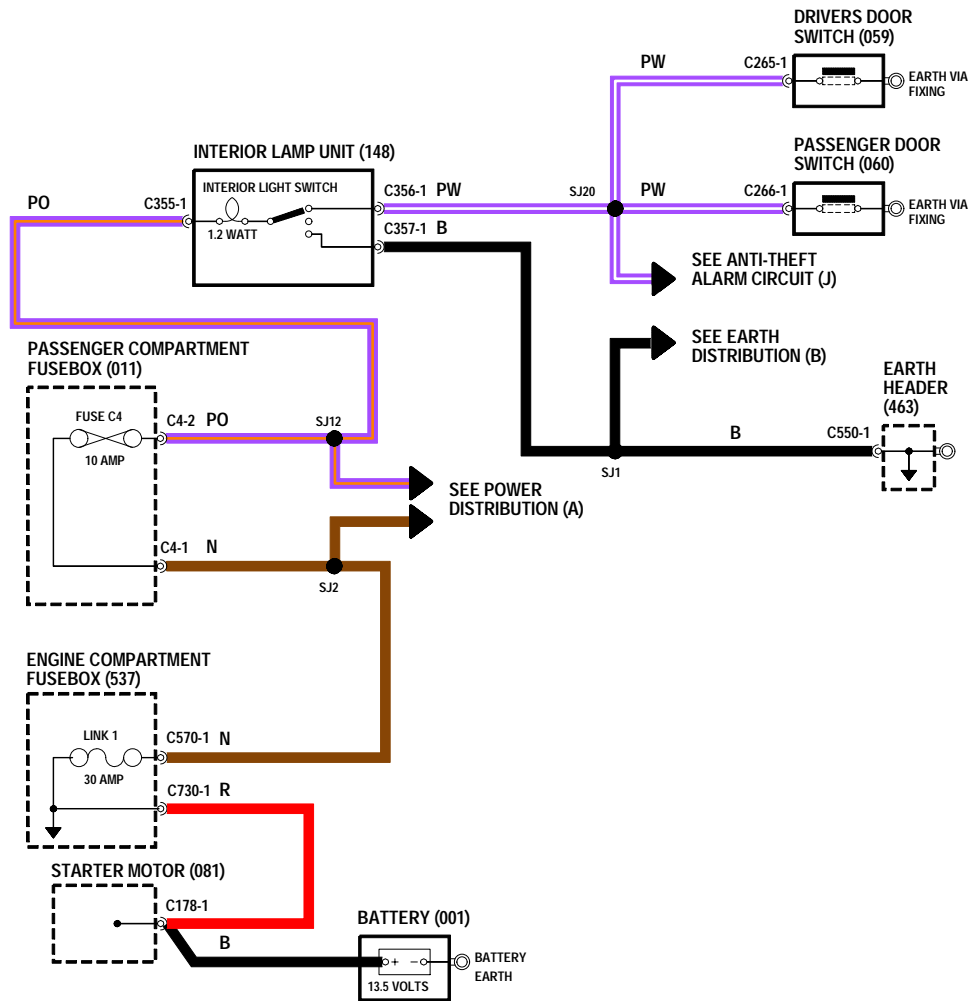
# EXTERIOR LAMPS HEADLAMP LEVELLING



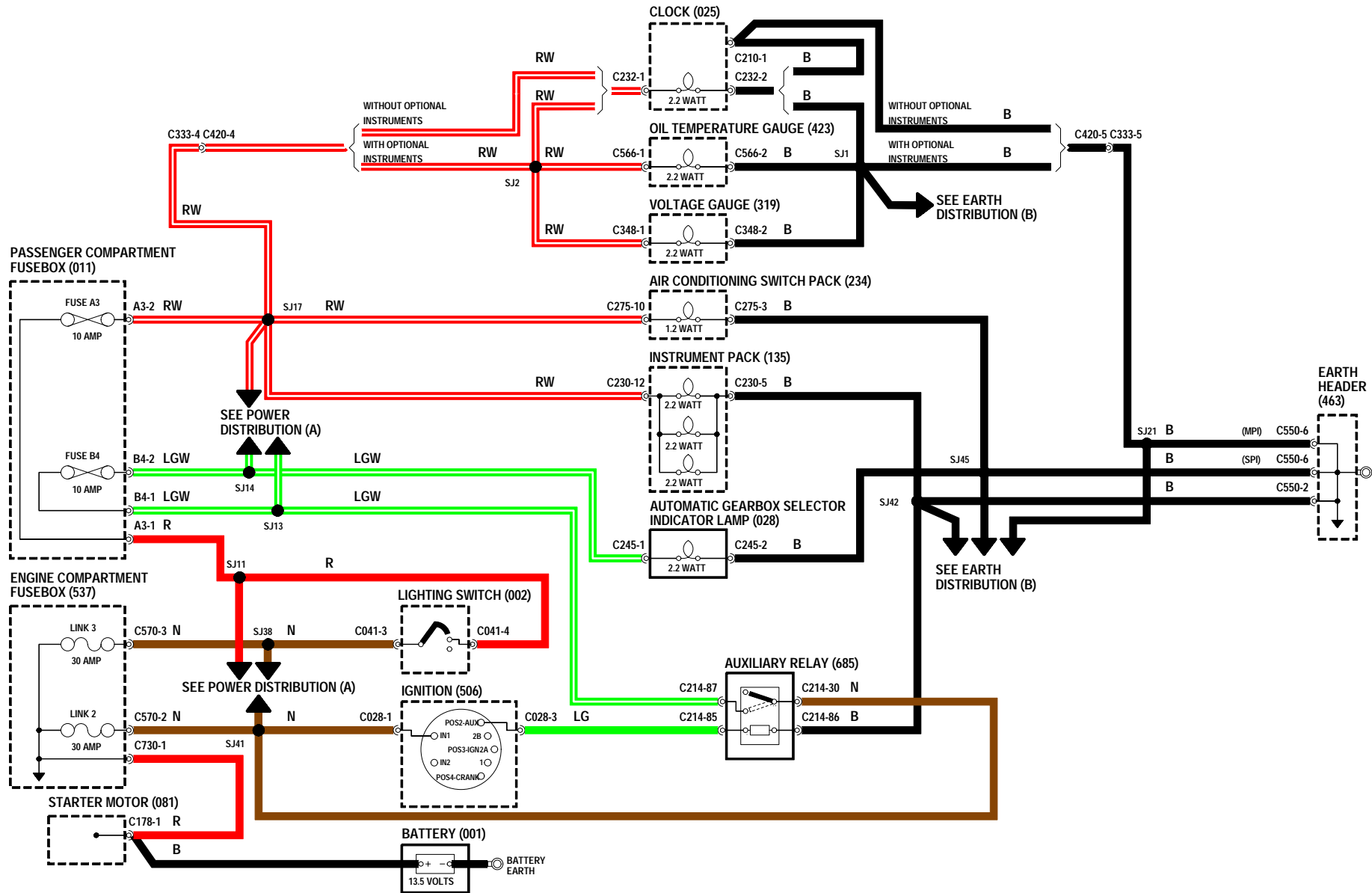
# INDICATORS AND HAZARDS



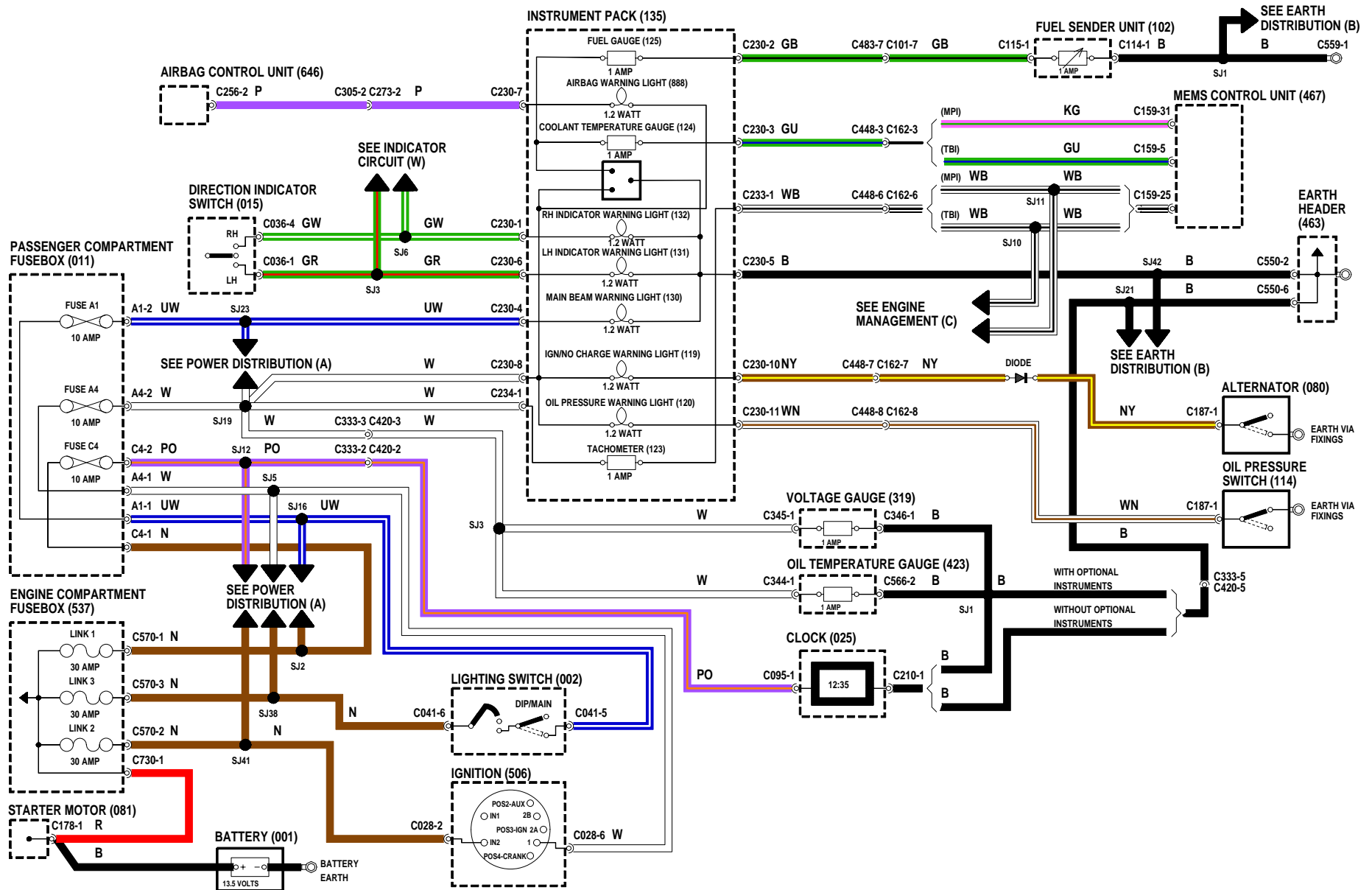
# INTERIOR LAMPS



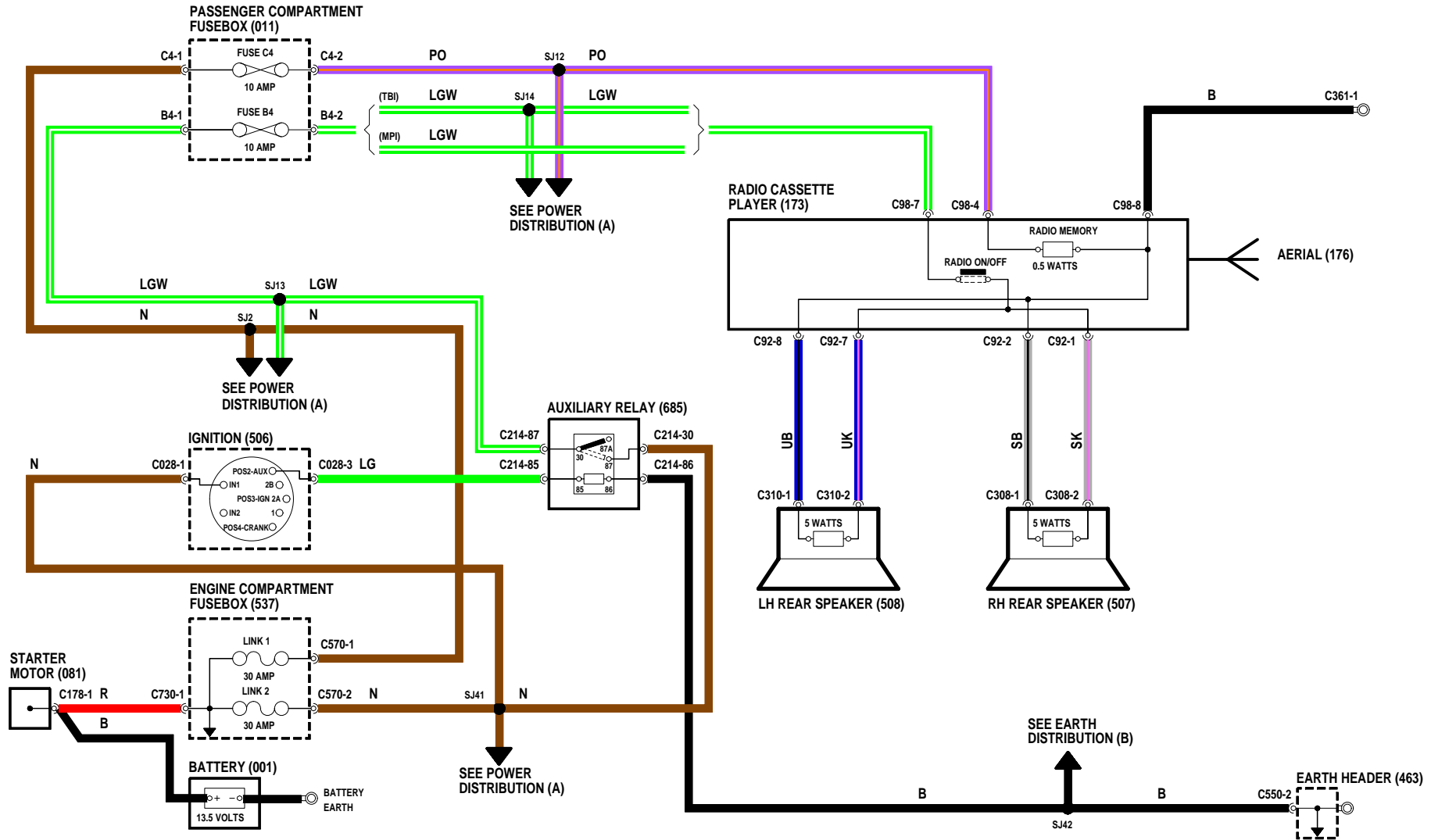
# INTERIOR ILLUMINATION



# INSTRUMENTS



# IN-CAR ENTERTAINMENT RADIO CASSETTE PLAYER



# IN-CAR ENTERTAINMENT RADIO CD PLAYER

