

Service Instruction

Doc. no.: 3390554A
Date: 18-October-2007

Hollandia 400

Service set Hollandia 400 headliner complete (part # 61S4FR0735500A)

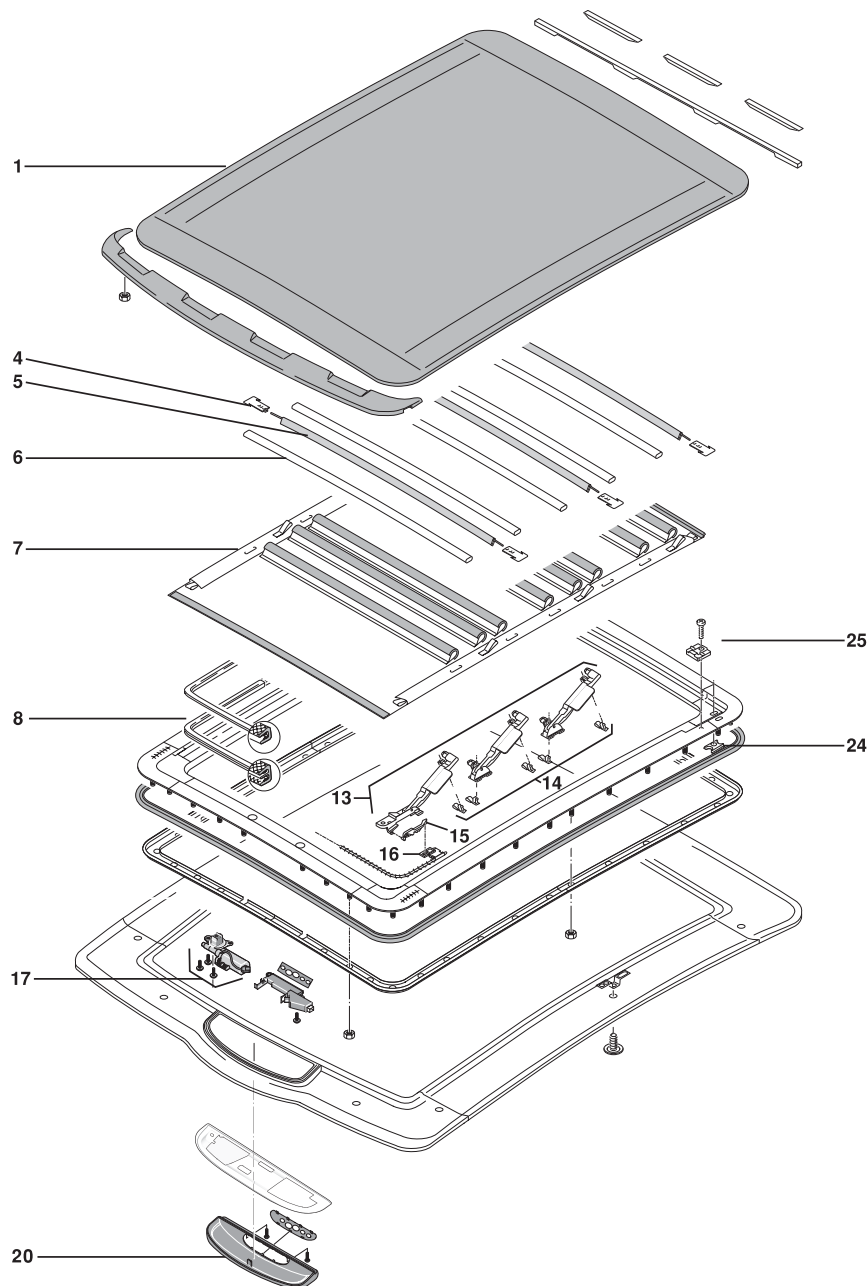
Contents:

- 1 pc. Hollandia 400 headliner complete

To be used for:

- Hollandia 400 Classic
- Hollandia 400 DeLuxe

Exploded view:



1. Top cover
4. Endcap wire
5. Bar headliner
6. Cross bar
7. Headliner complete
8. Edge protector
13. Slide bar set
14. Headliner hook set
15. Elbow lever and slider
16. Drive cable set
17. Motor
20. Motor cover
24. Spacer
25. Stopper incl. screw

Note: illustration based on Hollandia 400 DeLuxe.
Appearance of Hollandia 400 Classic is slightly different.

Service Instruction

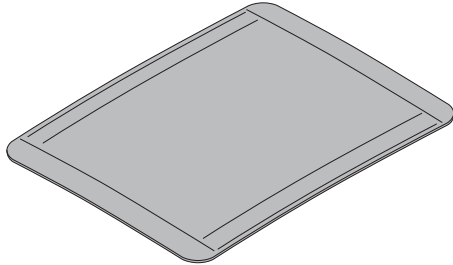
Doc. no.: 3390554A
Date: 18-October-2007

Hollandia 400

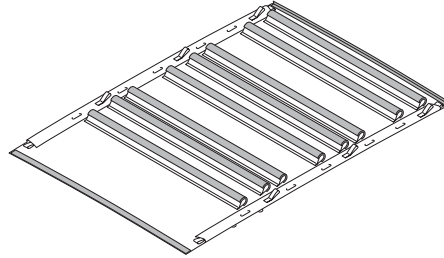
Part names:

Some of the parts mentioned in this instruction:

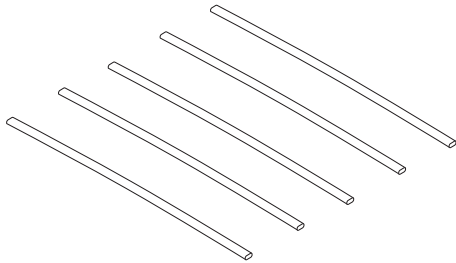
Top cover (1 pc.):



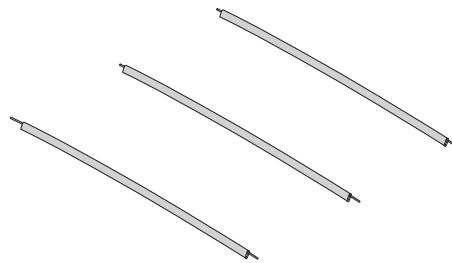
Headliner (1 pc.):



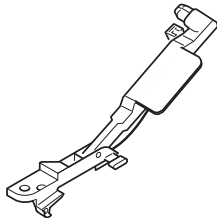
Cross bars (5 pcs):



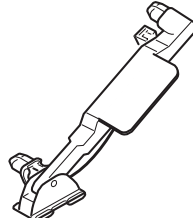
Bars (3 pcs):



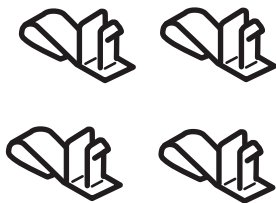
Front slide bar (1 set L&R):



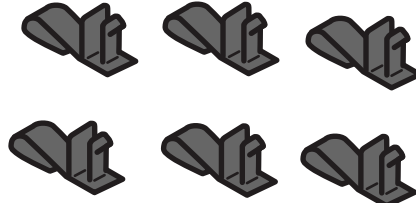
Slide bar (2 sets L&R):



Lower headliner hooks (4 pcs):



Upper headliner hooks (6 pcs):

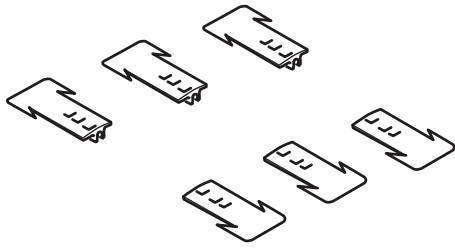


Service Instruction

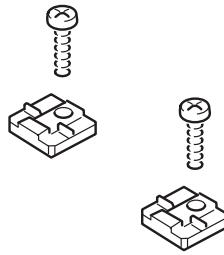
Doc. no.: 3390554A
Date: 18-October-2007

Hollandia 400

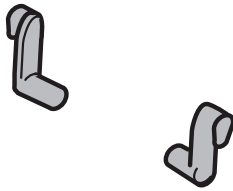
Endcaps wire (6 pcs):



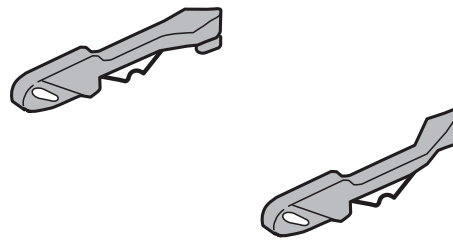
Stoppers (2 pcs) and screws (2 pcs):



Elbow levers (2 pcs):



Sliders (1 set):



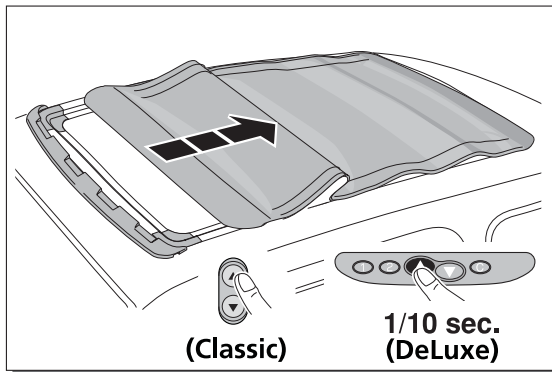
Service Instruction

Doc. no.: 3390554A
Date: 18-October-2007

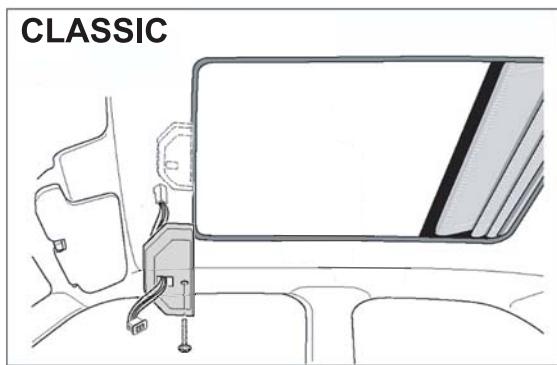
Hollandia 400

Headliner replacement:

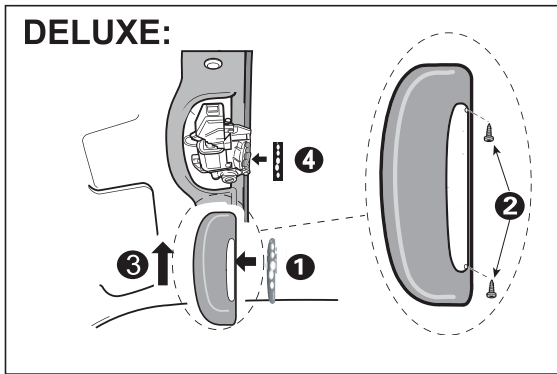
IMPORTANT: Be careful, do not damage the vehicle!



Open sunroof a little to decrease tension on fabric.



Remove motor cover if present.



Disconnect wiring.

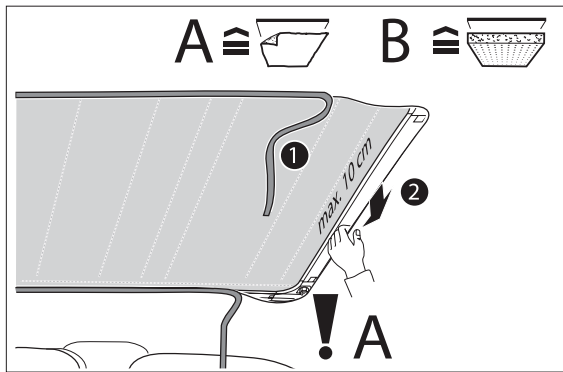
Loosen motor fixing screws and remove motor.
3 pcs (Classic) or 4 pcs (DeLuxe) M5 Phillips head screws.

Classic: Loosen wiring harness (2 small Phillips head screws).

Service Instruction

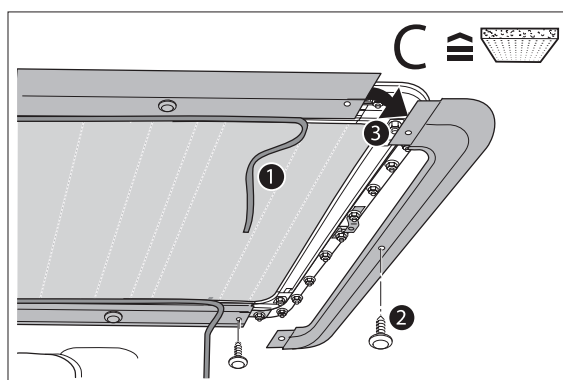
Doc. no.: 3390554A
Date: 18-October-2007

Hollandia 400



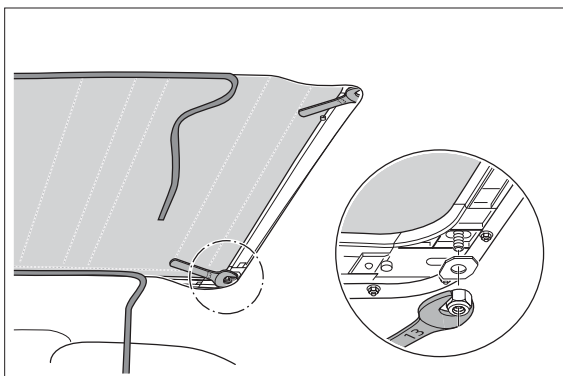
Soft wrap:

- (1) Remove edge protector from rear of aperture.
- (2) Lower vehicle headlining at rear to gain sufficient access to rear fixings on top cover assembly.

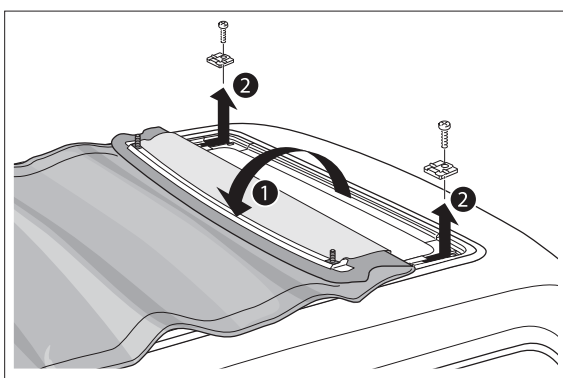


Hard headliner cover:

- (1) Remove edge protector.
- (2) Remove screws.
- (3) Remove all covers.



Remove nuts and spacers for rear cap (left and right; 13 mm wrench).

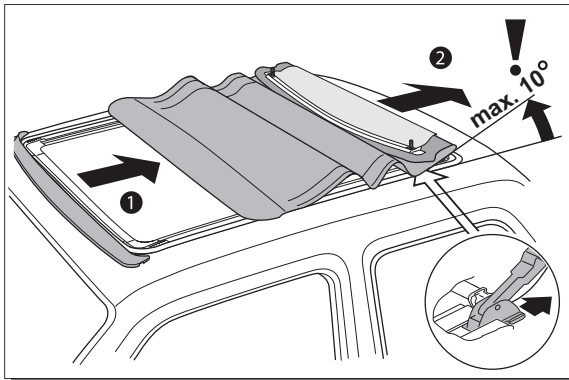


- (1) Fold rear of top cover to front.
- (2) Remove 2 pcs Phillips head screws from stoppers on rear corner joints. Push stoppers backwards out of slide rails.

Service Instruction

Doc. no.: 3390554A
Date: 18-October-2007

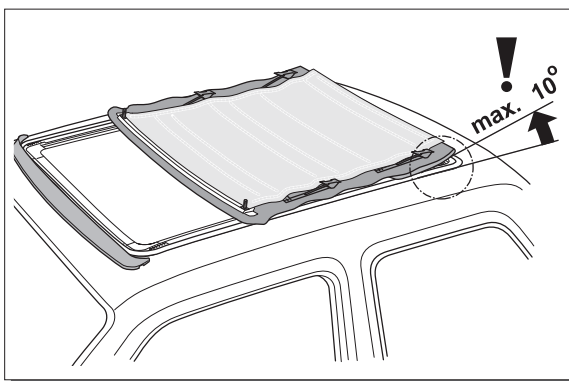
Hollandia 400



Move top cover backwards and push slide bars and sliders out of slide rails.

IMPORTANT:

Do not bend or push ends of slide bars and sliders!



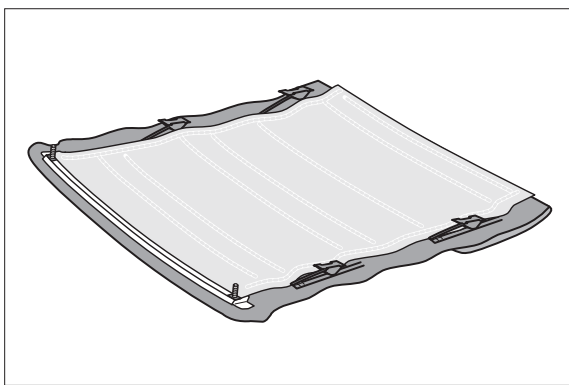
IMPORTANT:

Be aware not to lose elbow levers!

Do not damage plastic parts attached to end of drive cables!



Completely remove top cover assembly and headliner.

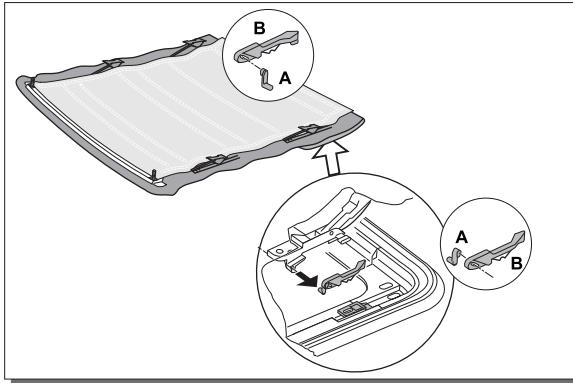


Put top cover assembly and headliner upside down on clean table or work bench.

Service Instruction

Doc. no.: 3390554A
Date: 18-October-2007

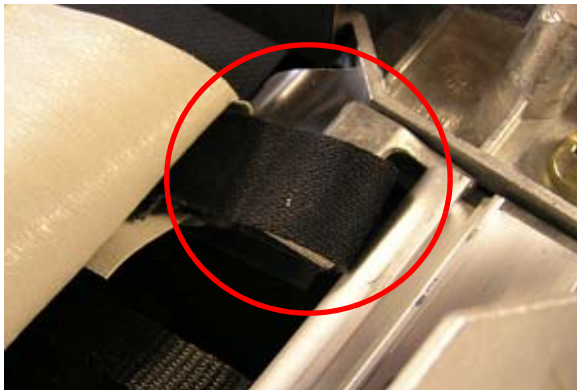
Hollandia 400



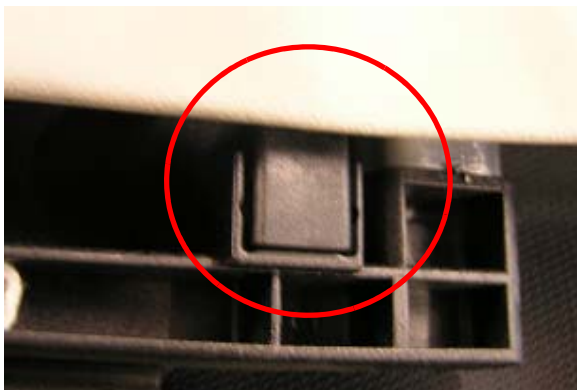
Remove elbow levers (A) and sliders (B), left and right.



Detach velcro connection headliner - front beam.



Unhook straps headliner from front beam, left and right.

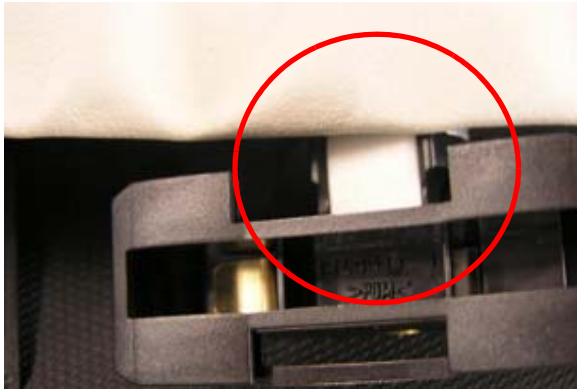


Remove 6 pcs. upper headliner hooks.

Service Instruction

Doc. no.: 3390554A
Date: 18-October-2007

Hollandia 400

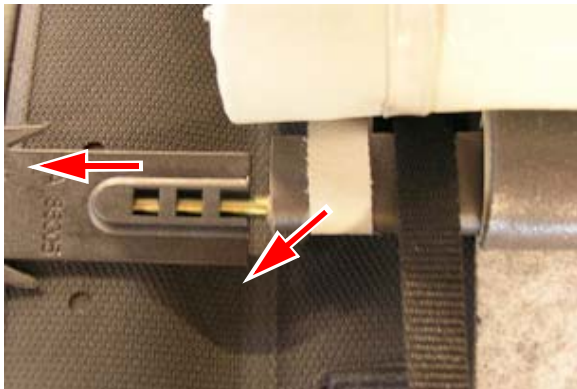


Remove 4 pcs. lower headliner hooks.

Start separating top cover, headliner, bars and cross bars at left or right side.
When finished, repeat at opposite side.



Pull endcaps wire (3x) out of top cover.



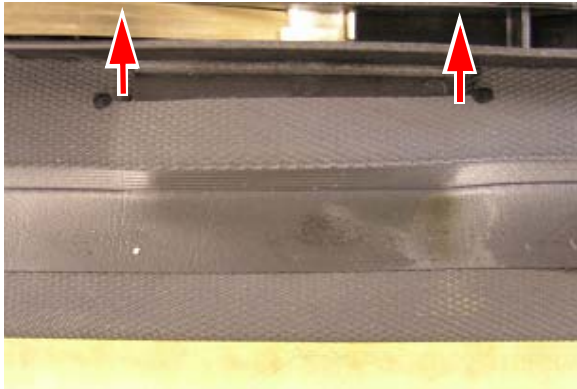
Pull endcaps wire (3x) from headliner bars.

Pull loopings headliner from headliner bars (3x).

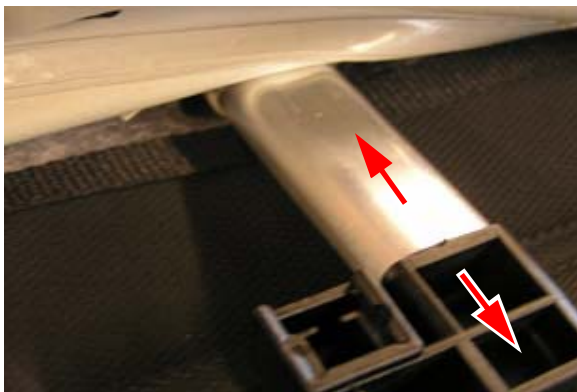
Service Instruction

Doc. no.: 3390554A
Date: 18-October-2007

Hollandia 400

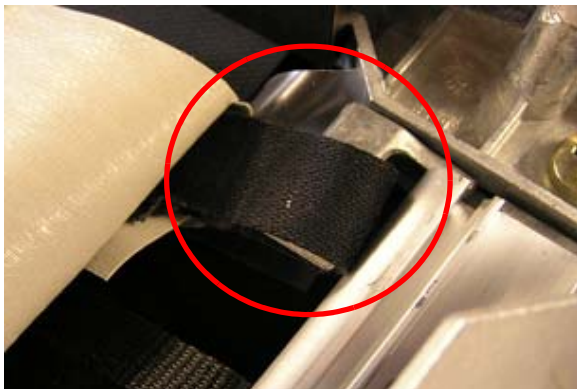


Pull slide bars (2x) out of top cover.
Do not remove front slide bar.



Pull slide bars (3x) from cross bars (5x).

Repeat at opposite side.

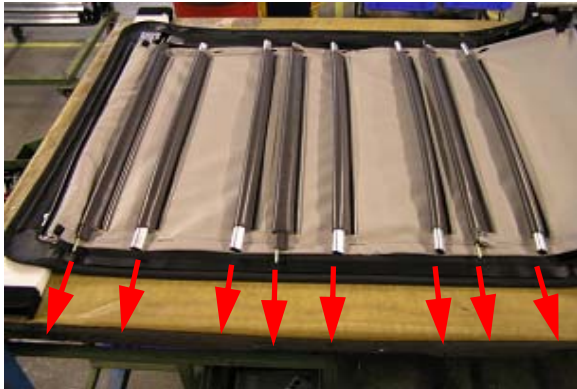


Unhook straps headliner from rear beam,
left and right.

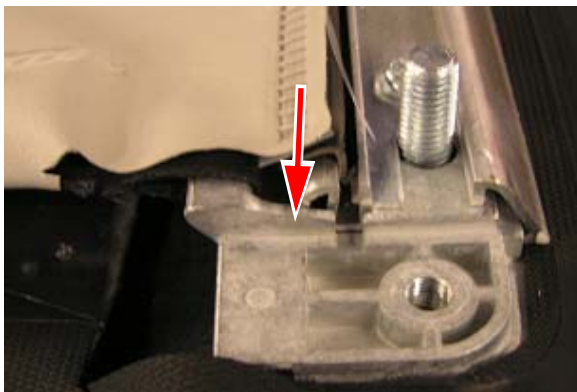
Service Instruction

Doc. no.: 3390554A
Date: 18-October-2007

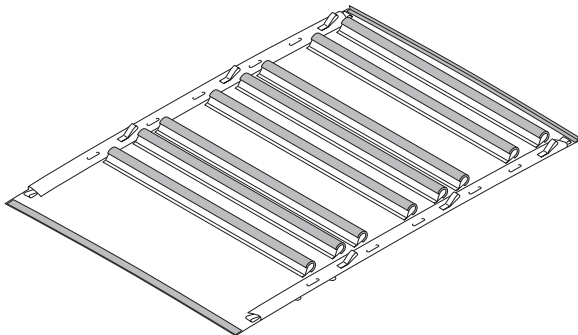
Hollandia 400



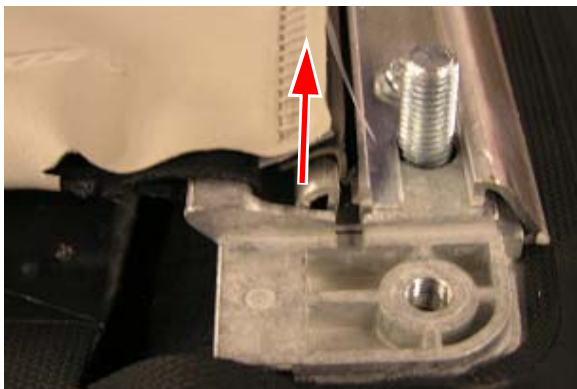
Remove cross bars (5x) and bars (3x) from headliner.



Slide backside headliner out of groove rear beam.



Take new headliner complete.

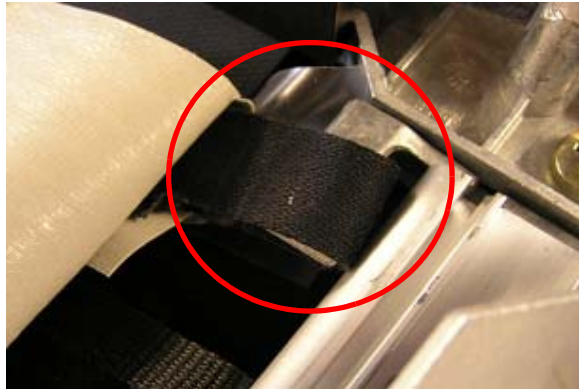


Slide backside new headliner into groove rear beam.

Service Instruction

Doc. no.: 3390554A
Date: 18-October-2007

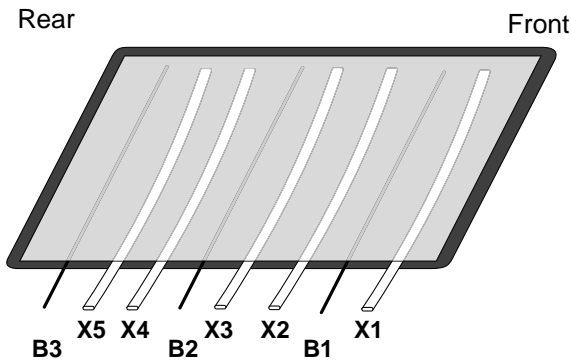
Hollandia 400



Hook straps headliner onto rear beam, left and right.



Slide headliner bars (3x) and cross bars (5x) into new headliner.



Note positions headliner bars and cross bars:
=> slide headliner bars into tunnels with loopings on headliner,
=> slide cross bars into tunnels without loopings on headliner.

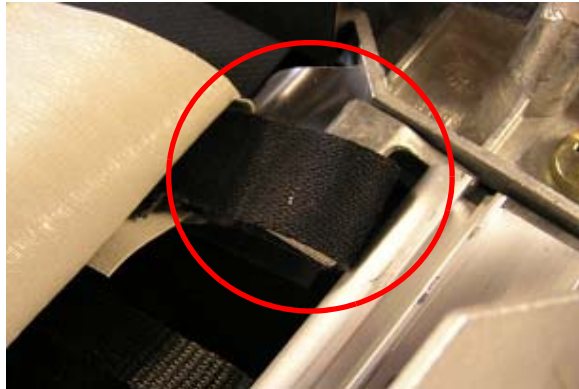
Note direction radius cross bars: cross bar radius has to correspond with radius vehicle roof.

Start assembling top cover, headliner, headliner bars and cross bars at left or right side. When finished, repeat at opposite side.

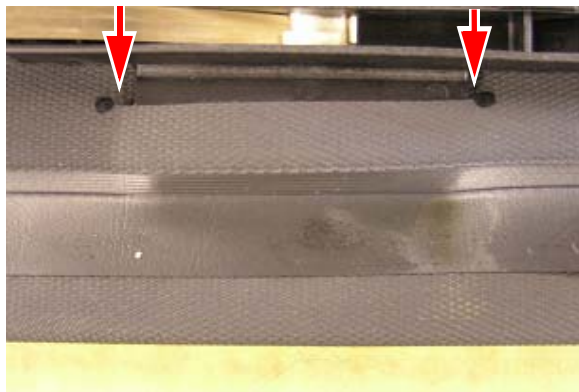
Service Instruction

Doc. no.: 3390554A
Date: 18-October-2007

Hollandia 400

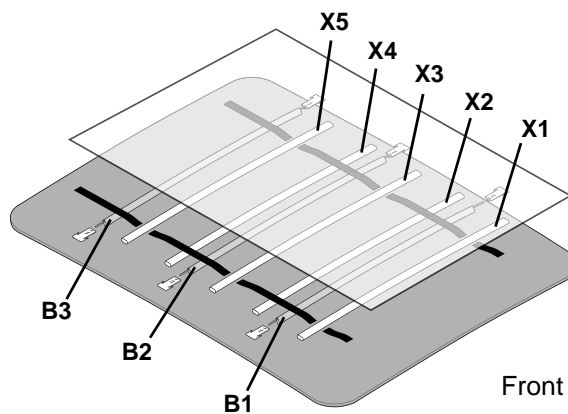


Hook strap headliner onto front beam.



Put lips slide bars (2x) into top cover.

Rear



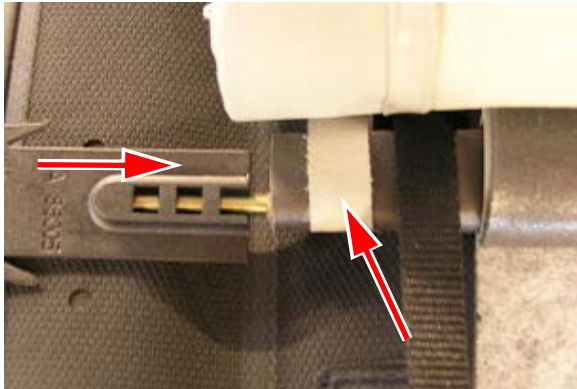
Guide connecting strap from front to rear as described:

- below cross bar "X1"
(between cross bar and top cover)
- above bar "B1"
(between bar and headliner)
- above cross bar "X2"
- below cross bar "X3"
- above bar "B2"
- above cross bar "X4"
- below cross bar "X5"
- above bar "B3"

Service Instruction

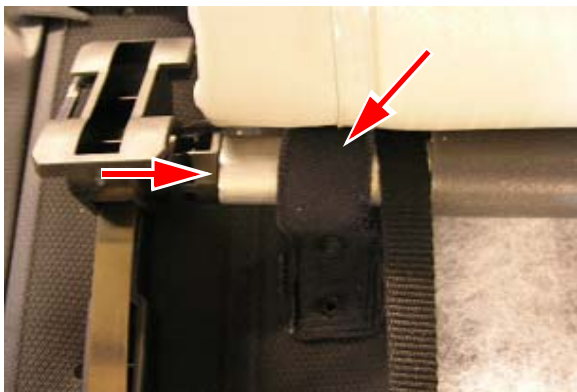
Doc. no.: 3390554A
Date: 18-October-2007

Hollandia 400



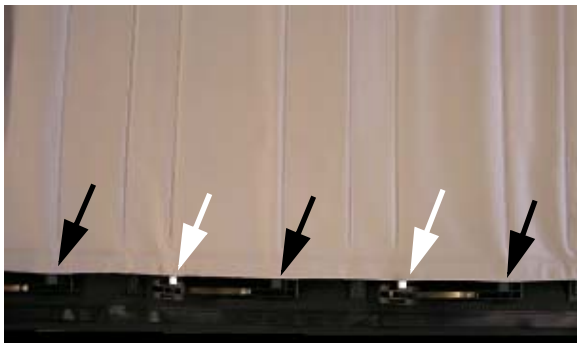
Guide loopings headliner around headliner bars.

Push endcaps wire on bars (3x).



Guide loopings top cover around cross bars "X2" and "X4".

Push cross bars (5x) onto slide bars (3x).



Mount 2 pcs. lower headliner hooks (white) and 3 pcs. upper headliner hooks (black).

Lower headliner hooks (white) near sliding shoes.



Hook into headliner.

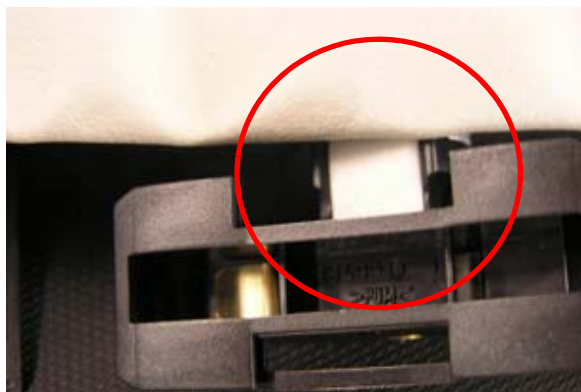
There's a double strap inside headliner.

Hook in just one piece strap.

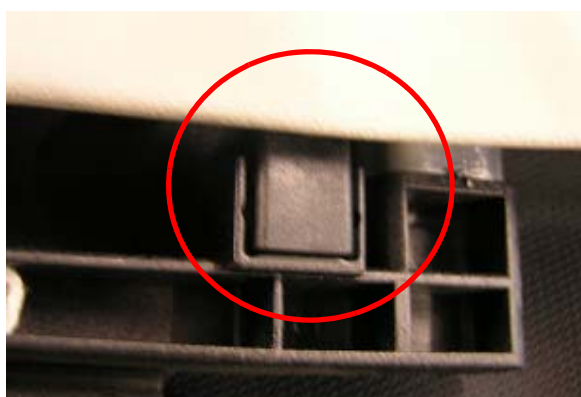
Service Instruction

Doc. no.: 3390554A
Date: 18-October-2007

Hollandia 400



Press hooks into slide bars.



Repeat at opposite side.

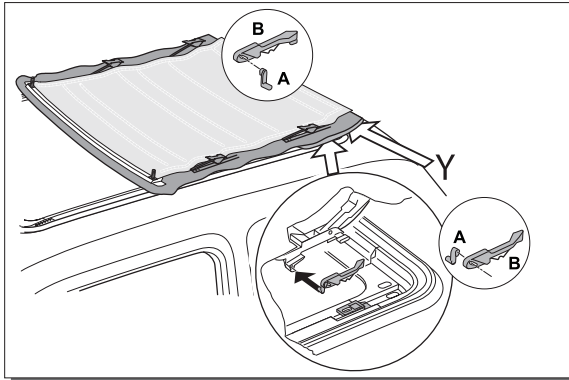


Attach velcro headliner to front beam.

Service Instruction

Doc. no.: 3390554A
Date: 18-October-2007

Hollandia 400



Fit elbow levers (A) and sliders (B) into drive cable holders left and right side.



First, hook elbow lever into slider and hook elbow lever into bracket top cover.

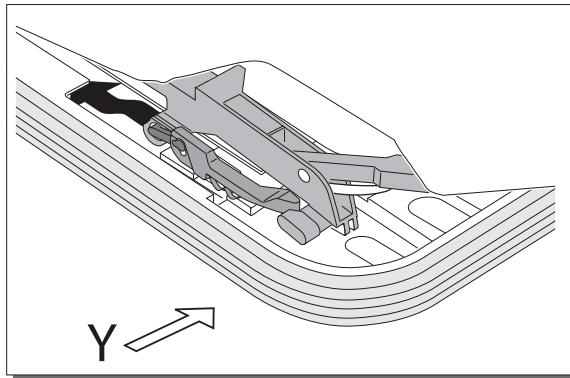


Then, fit slider into drive cable holder.

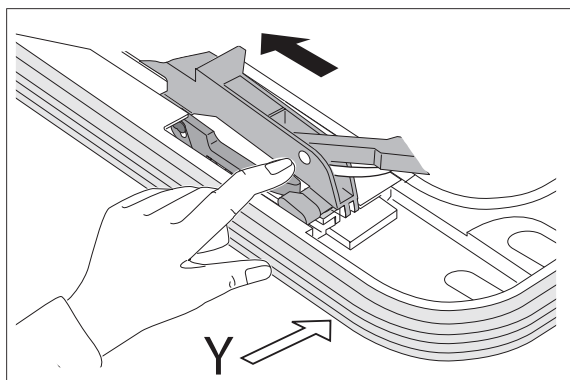
Service Instruction

Doc. no.: 3390554A
Date: 18-October-2007

Hollandia 400



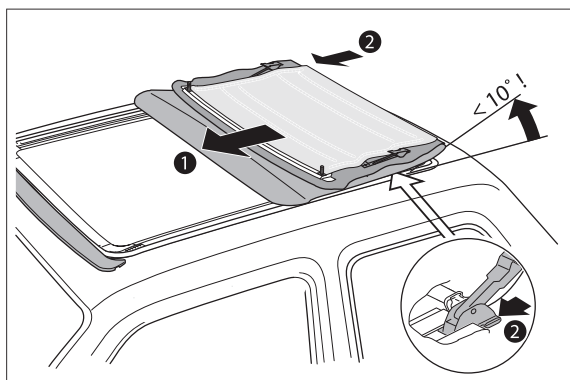
Push front of slider into slide rail.



Push slider / elbow lever downwards and slide top cover assembly forwards at the same time.



Push top cover forwards and make sure sliders go completely into slide rail.



(1) Move top cover assembly and headliner further forward slowly.

(2) Put slide bars into slide rails.

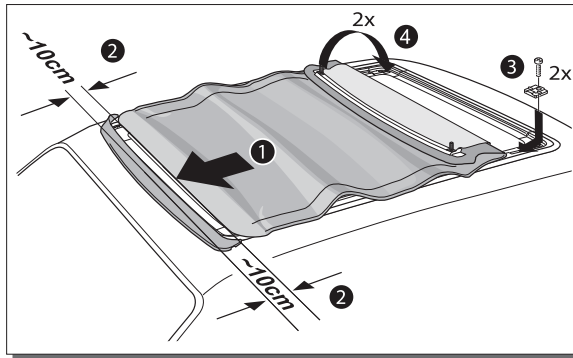
IMPORTANT:
Do not bend or push sliders / slide bars!



Service Instruction

Doc. no.: 3390554A
Date: 18-October-2007

Hollandia 400



(1) Close sunroof until a 10 cm opening remains.

(2) **IMPORTANT:**
Check if distance front beam - front side headliner is same left and right.
Correct if necessary.

(3) Fix end stops on both sides.

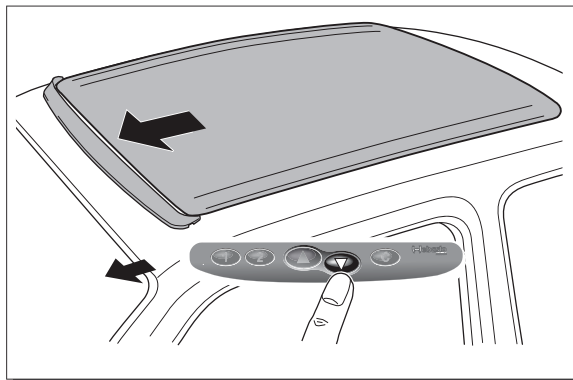
(4) Place spacers and tighten top cover fixing nuts.



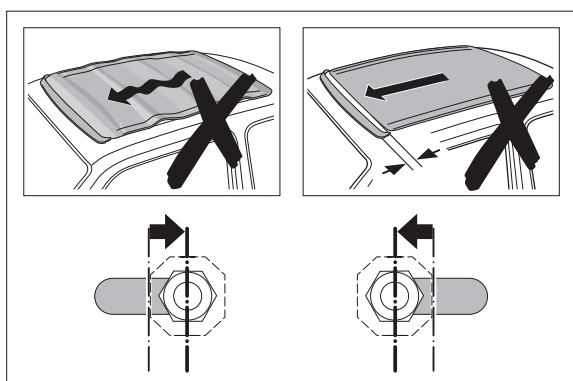
Install motor

Fix wiring harness (Classic).

Connect wiring.



Close top cover and check tension.
Correct if necessary.



Top cover should close exactly to the right point.
Cover should still be straight and there should be no gap at front side.

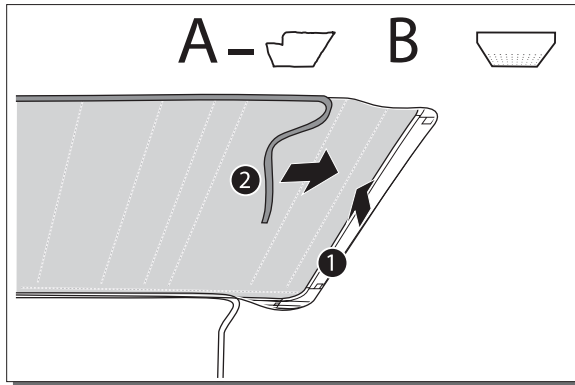
When top cover is too tight, this will cause wind noises and/or leaks when driving.

Check function of sunroof.

Service Instruction

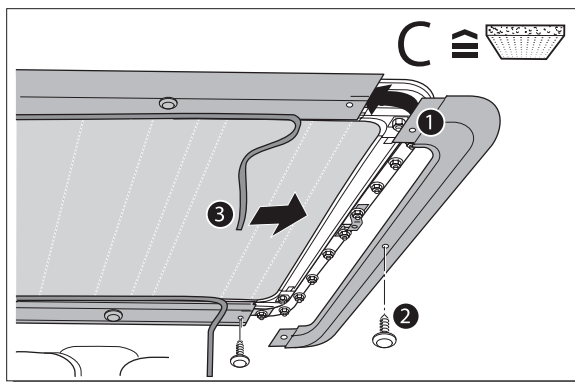
Doc. no.: 3390554A
Date: 18-October-2007

Hollandia 400



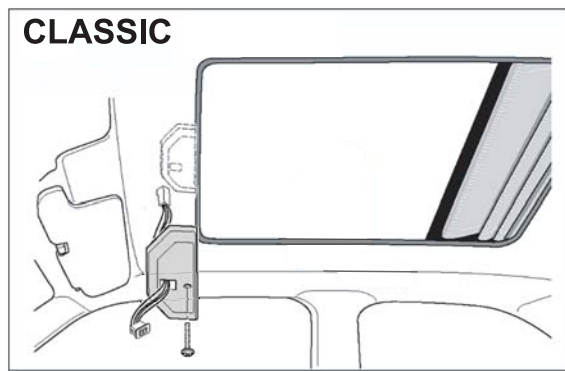
Soft wrap:

Fix vehicle headlining and edge protector.



Hard headliner cover:

Install covers.



Place and fix motor cover (if present).

